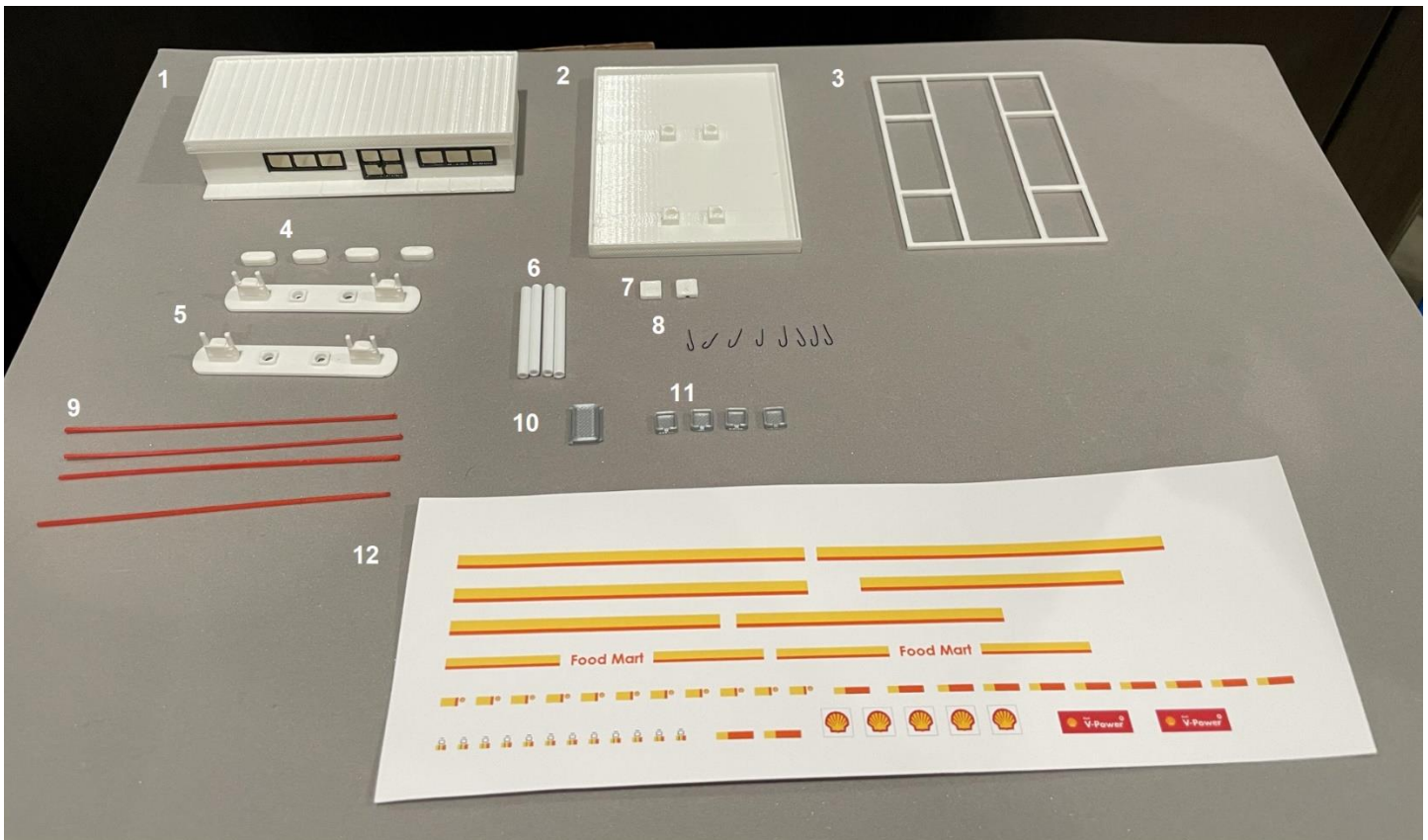


Shell Station Assembly Instructions

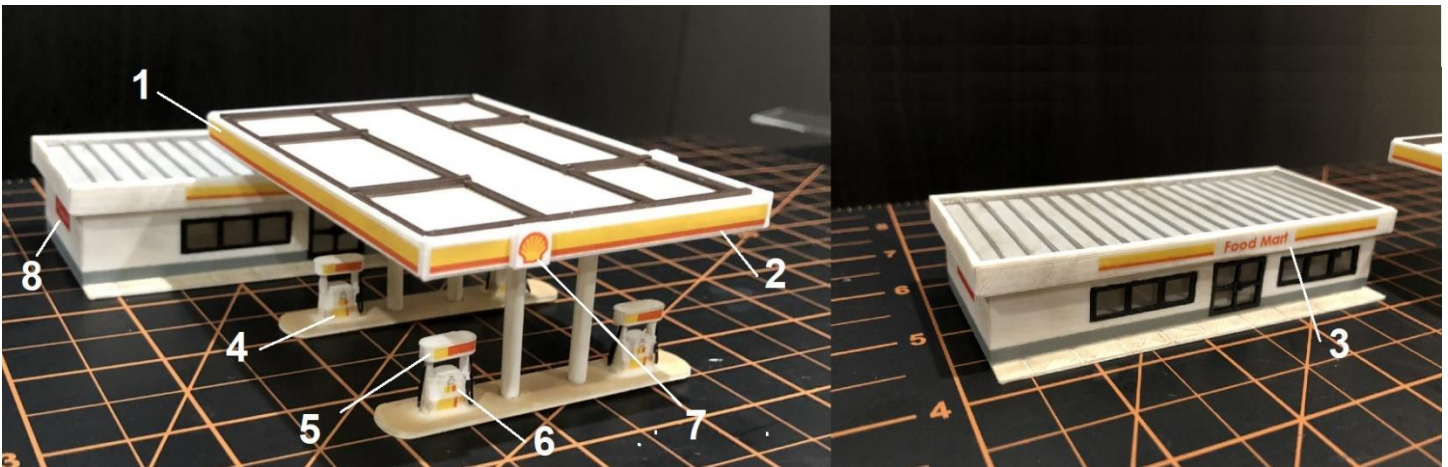
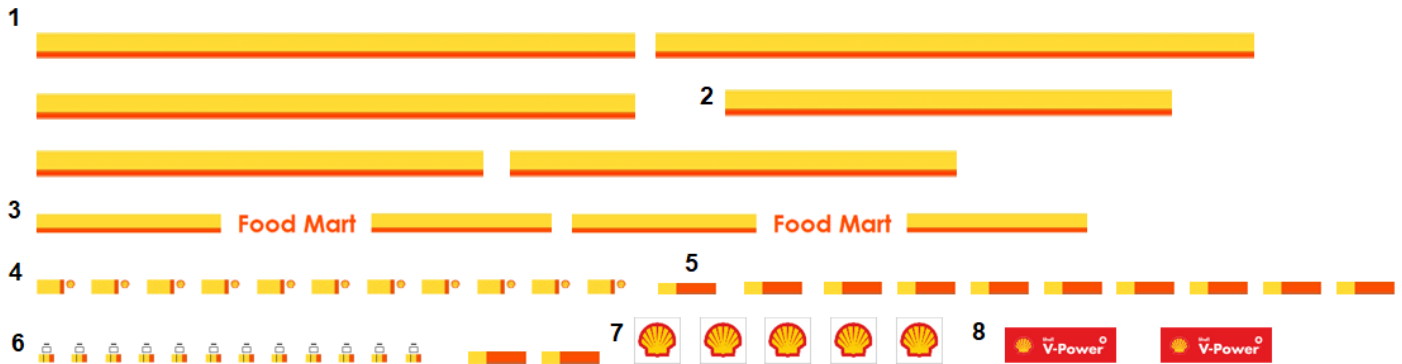


Parts List

1. Main Building (includes removable roof windows and door)
2. Canopy
3. Frame for the top of the canopy
4. Gas pump tops
5. Gas pumps
6. Canopy poles
7. Shell logo holders for Canopy
8. Gas pump hoses
9. Red trim for canopy
10. Back door
11. Light holders
12. Vinyl sticker sheet with various decals and logos

Vinyl Sticker Locations

There are extra vinyl stickers included in case you accidentally damage one during trimming them off the paper. Below is a guide to where each one goes.



1. On the long side of the canopy
2. Short side of the canopy
3. Front of the main building
4. Bottom of the gas pump
5. Top of the gas pump
6. Middle of the gas pump
7. On the square that holds the Shell log
8. On the side of the main building

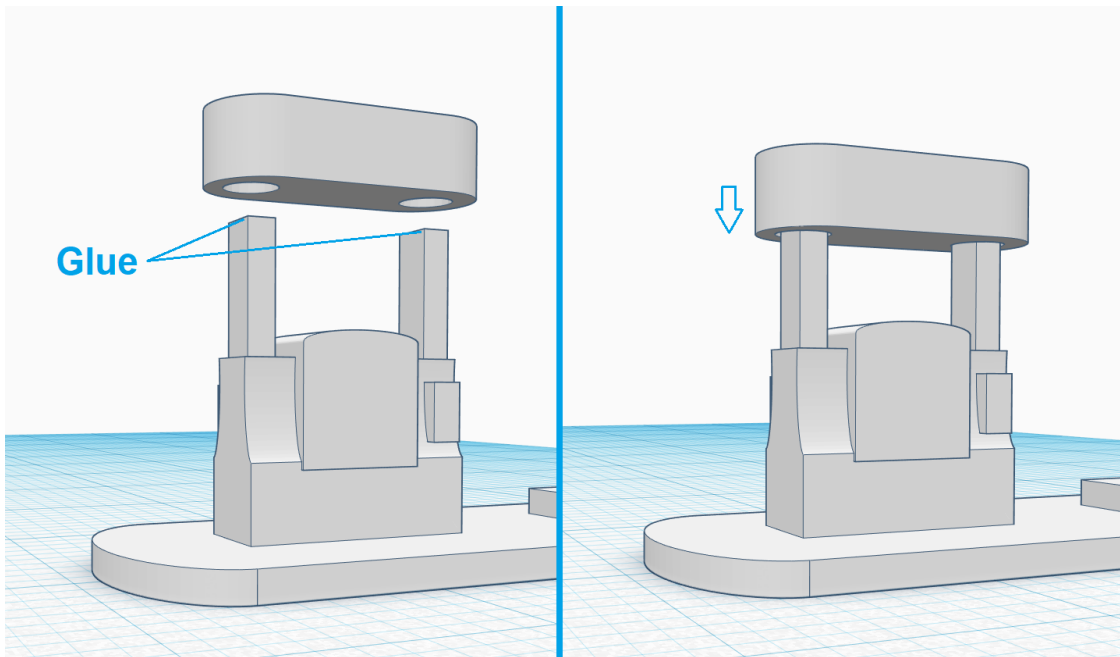
Use a hobby knife to trim them off the paper and then remove the backing. Try and trim as close to the logo as you can.

Gas Pump Assembly

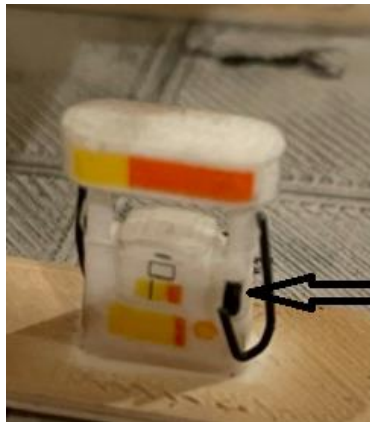
If you plan on painting any parts of the gas pumps I would do that first (such as the concrete pad the pumps sit on) however these were printed in white to look like an actual Shell station so not much painting should be necessary.

Also when assembling the gas pumps I recommend applying the stickers before assembling the parts.

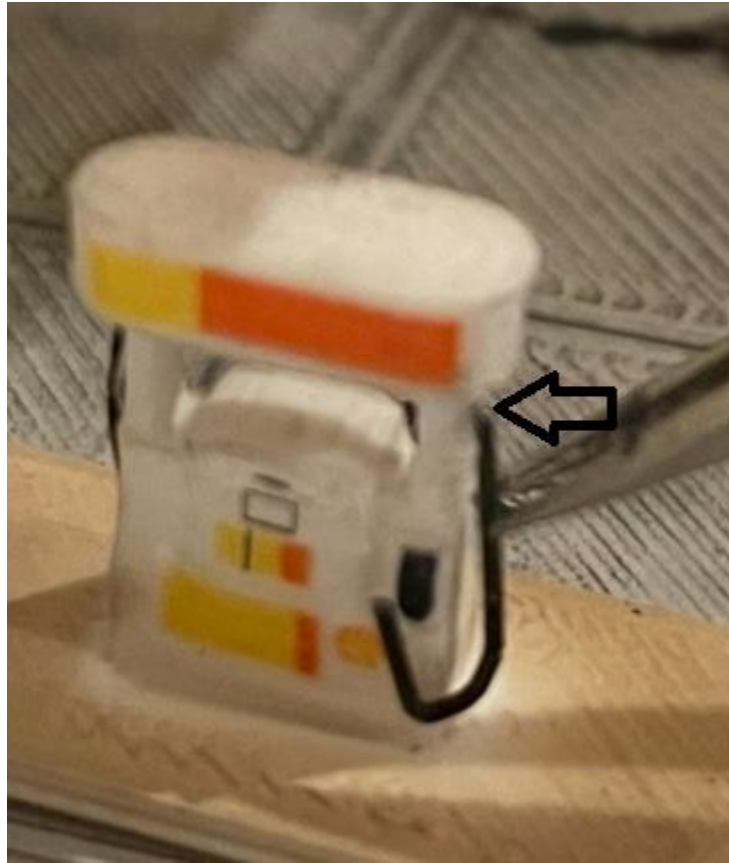
After placing the stickers on the gas pump take a dab of glue and place it on the top of the poles and then slide the top of the gas pump on.



Another trick I do when building these is to take a Sharpie and color the part where the pump hand would usually be in black.



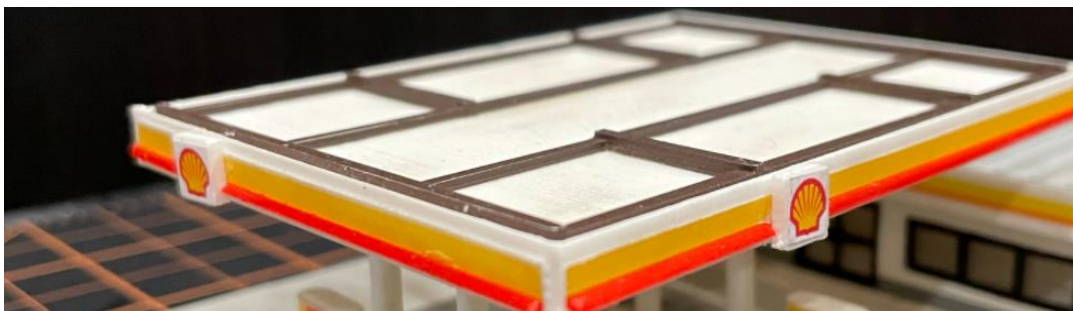
Now you can take your gas pump hoses and attach them. I like to use Microscale Krystal Klear to attach them. Put just a drop of glue on the right side as you are facing them and then attach the gas pump hose as pictured. I like to use Krystal Klear because it is thick enough to hold the wire so you can use tweezers to line it up.



Do this for all 4 pumps (8 hoses in all)

Canopy

Install the stickers around the edge of the canopy first. Now choose where you want your Shell logo to go (most have one logo facing out and another facing to the side). But it is your model so you place them wherever you like



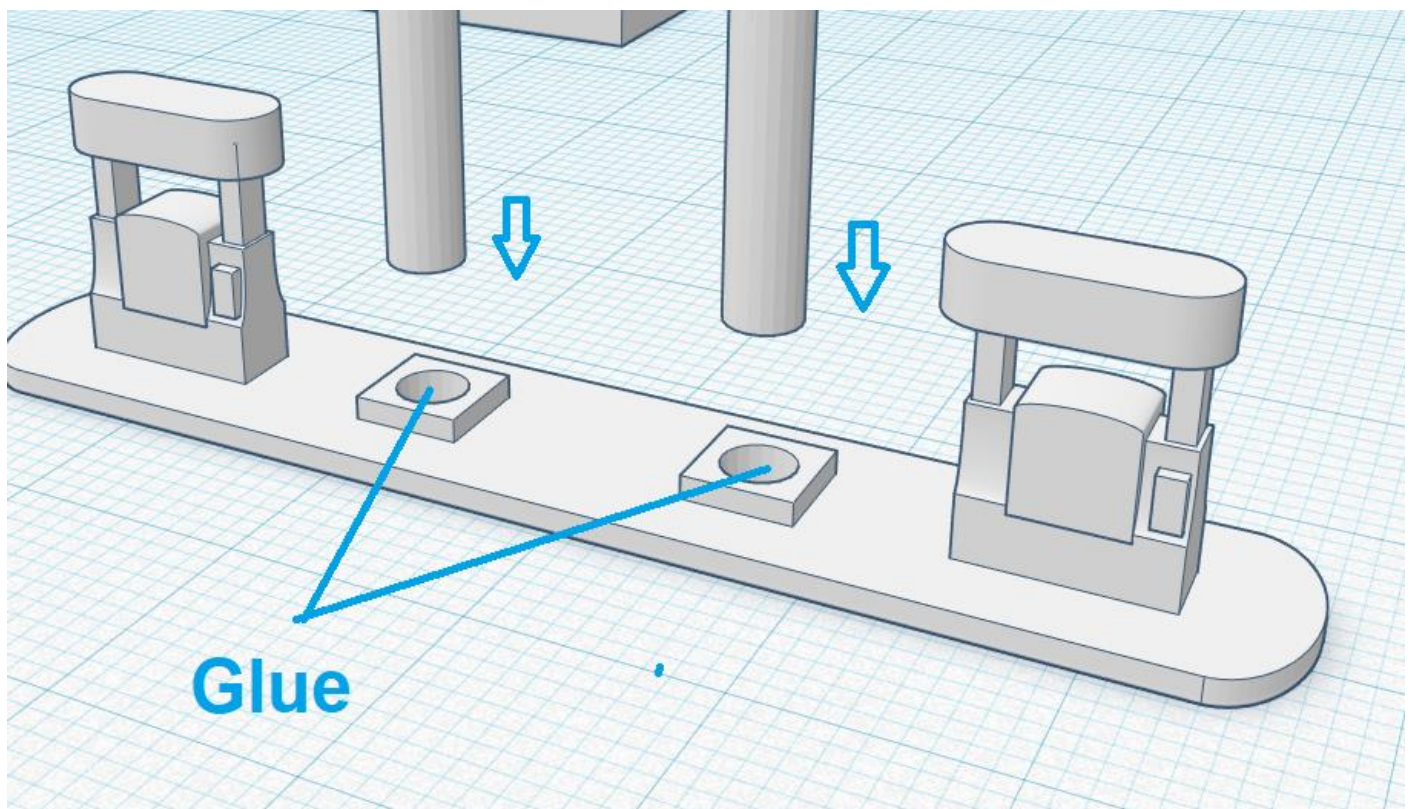
Place the Shell logo on the small square before gluing it on. You can use the grey square around the logo to trim on the grey line to get the correct size.

Krystal Klear is great to stick the square on to the canopy because it will not damage the yellow sticker. Once you have your Shell logos on you can use the red trim to cover over the red part of the sticker and give it a little more realistic look. Just trim the pieces to the necessary length and glue them on (see picture above).

You can glue the canopy frame on now or wait until you are finished attaching it to the pumps. I would paint it a rusty red or brown to match prototypes. Once painted you can just put a little glue on the bottom of it and stick it to the top of the roof.

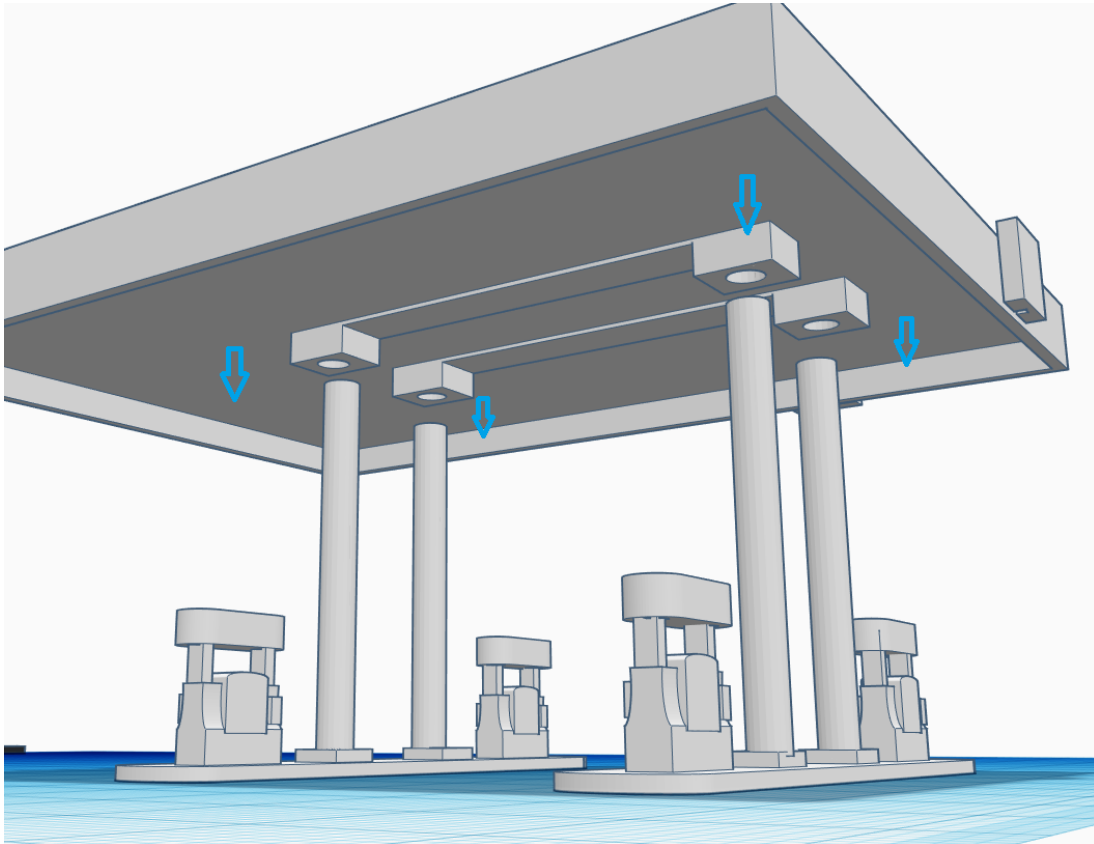
Attaching the Pumps to the Canopy

Once the canopy is finished you can take the poles and put just a little bit of glue in the holes by the gas pumps and slide them in.



Do this for both sets.

While the glue is still setting you can go ahead and slide the poles into the canopy.



I do not glue the top of the poles as they should fit snug enough and if you decide to go back later to add lights you can easily pull the canopy off to run wires. Note that your kit has four light holders. Even if you do not add lights you can use them just to add some detail under the canopy.



Main Building

You may also notice your windows and front door are installed. This is because the windows sometimes are slightly different sized after printing so I have printed slightly larger and smaller windows to fit. You can pop them out if you wish to paint the grey stripe around the base of the gas station (like the prototype). Just keep up with what window came out of which hole.

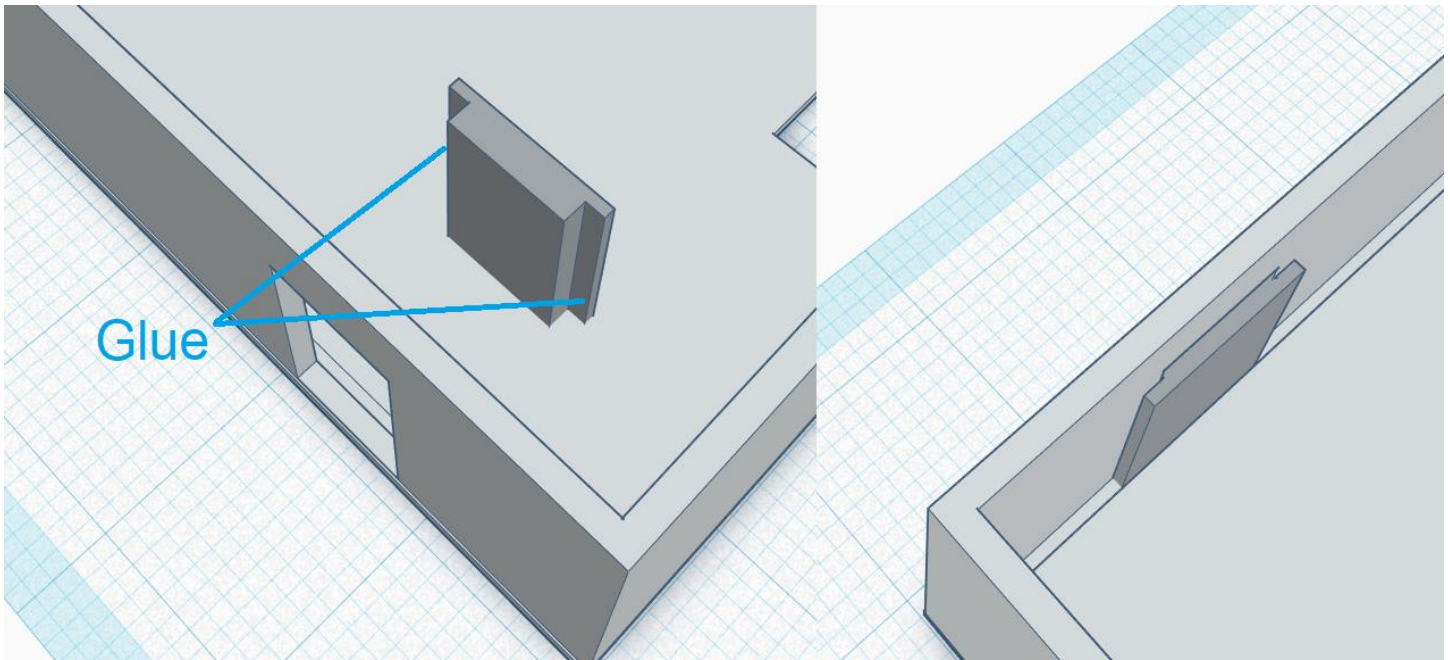


Also before applying the Food Mart sticker you may want to pain the roof gray (or another color). It comes off easily so you can do that and then once finished you can place the sticker across the front lining up the “food mart” with the front door.

There is a V-Power sticker included that I put on the left side of the building as well. But again this is your model, you can decorate however you like.

When you are ready to put in your windows use a little glue and pop them back in.

For the back door just put a little glue on the sides and then pop it in.



Now you can put the roof on and you have yourself a completed Shell Station.

