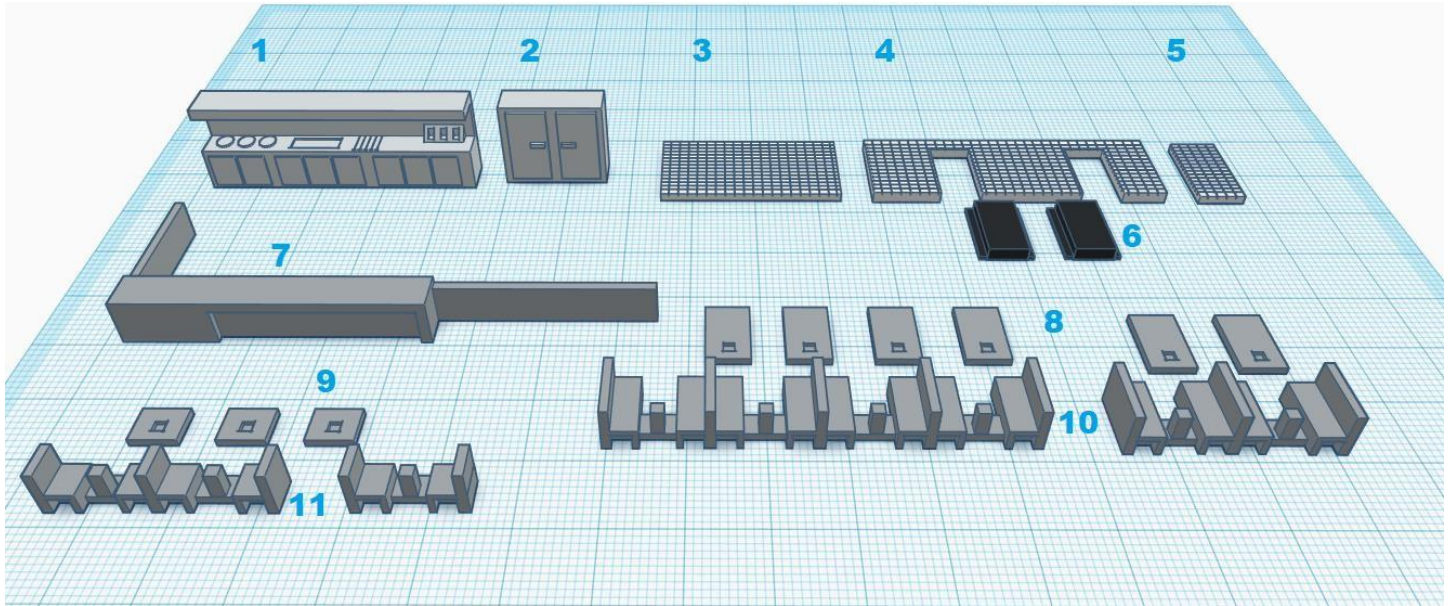
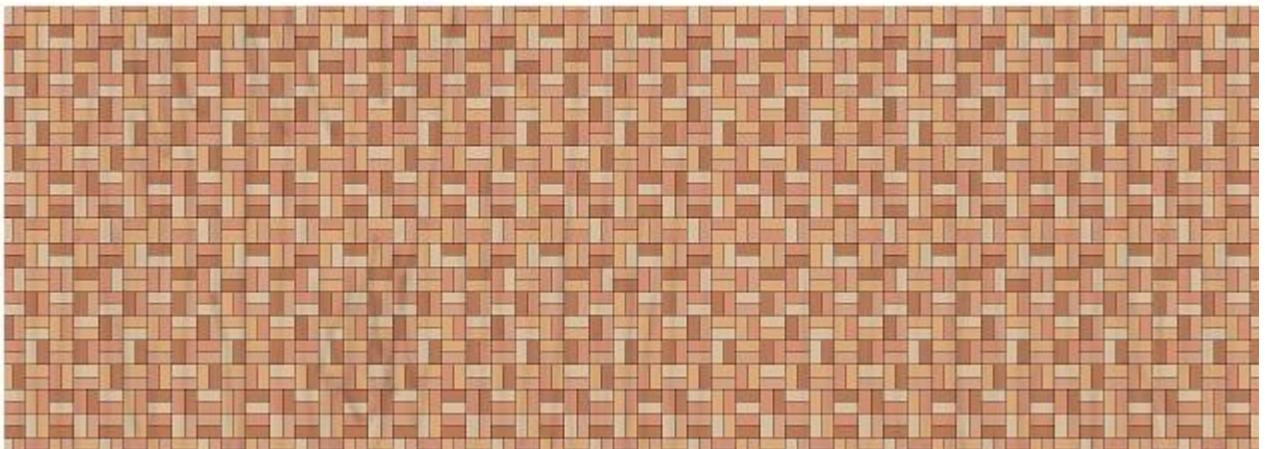


# Instructions for Waffle House Interior Parts

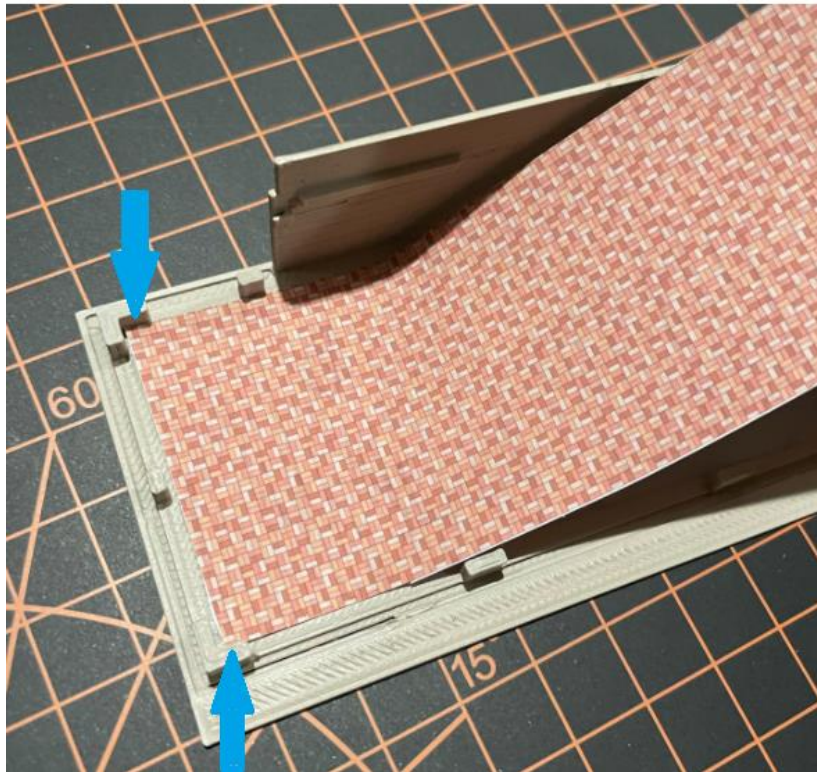
## Parts List



12



1. Kitchen
2. Refrigerator
3. Kitchen Wall
4. Office/Bathroom Wall
5. Short Wall by Entrance
6. Doors for Office/Bathroom Wall
7. Counter
8. Full Size Table Tops (x6)
9. Small Table Tops (x3)
10. Full Size Booths
11. Small Booths
12. Vinyl Sticker for Floor



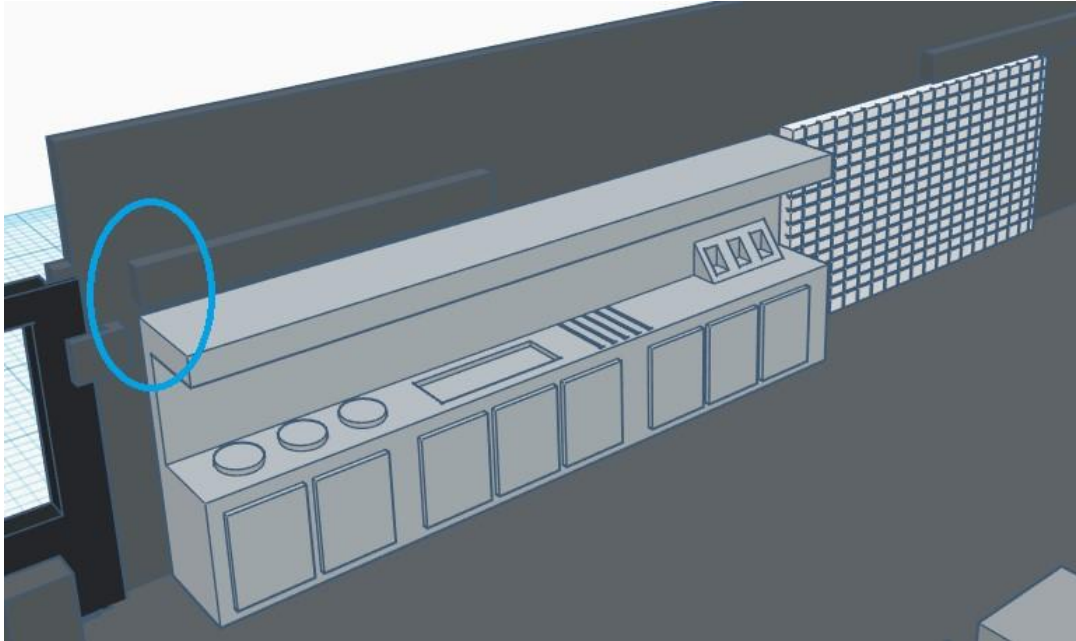
**First step is to apply the vinyl stick to the floor. Peel the backing off and then line it up with the corners that hold the walls up. Normally the walls have already been installed before putting the floor down and starting on the interior. This picture was just to give you a clear view.**

**Once that is finished I do a dry fit for all your parts to see where everything is going to line up. You can use these instructions as a guide. Once you see where everything is going to fit on your model you can add glue to the appropriate locations on the pieces.**

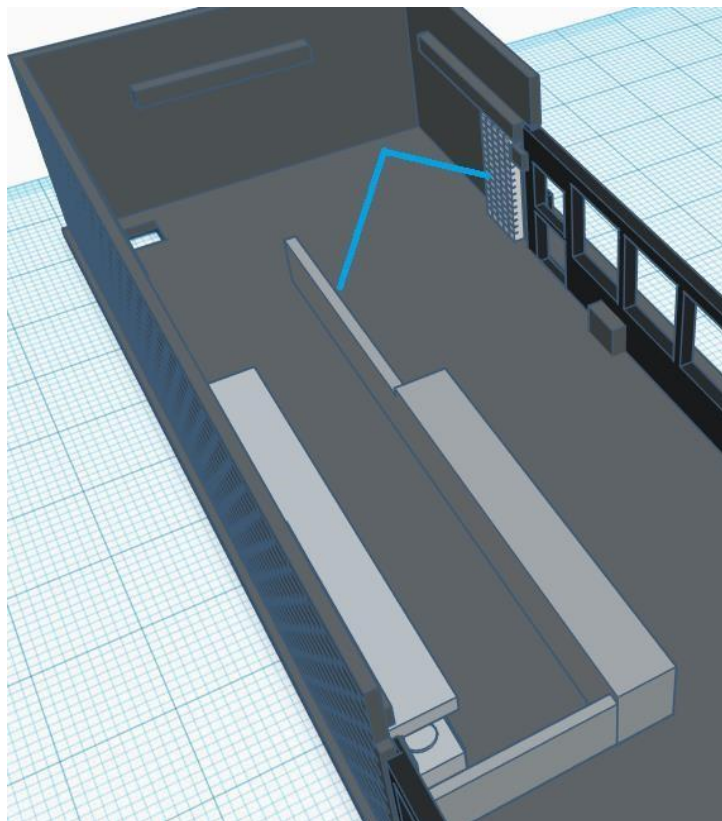
**Just a note, do NOT use Testors or any other aggressive glue for holding down the counter or tables to the floor. It will damage the sticker and the floor will pull up. I suggest using Microscale Kristal Klear or something similar.**

**You can however use Testors for attaching the items to the walls or gluing the table tops on to the seats.**

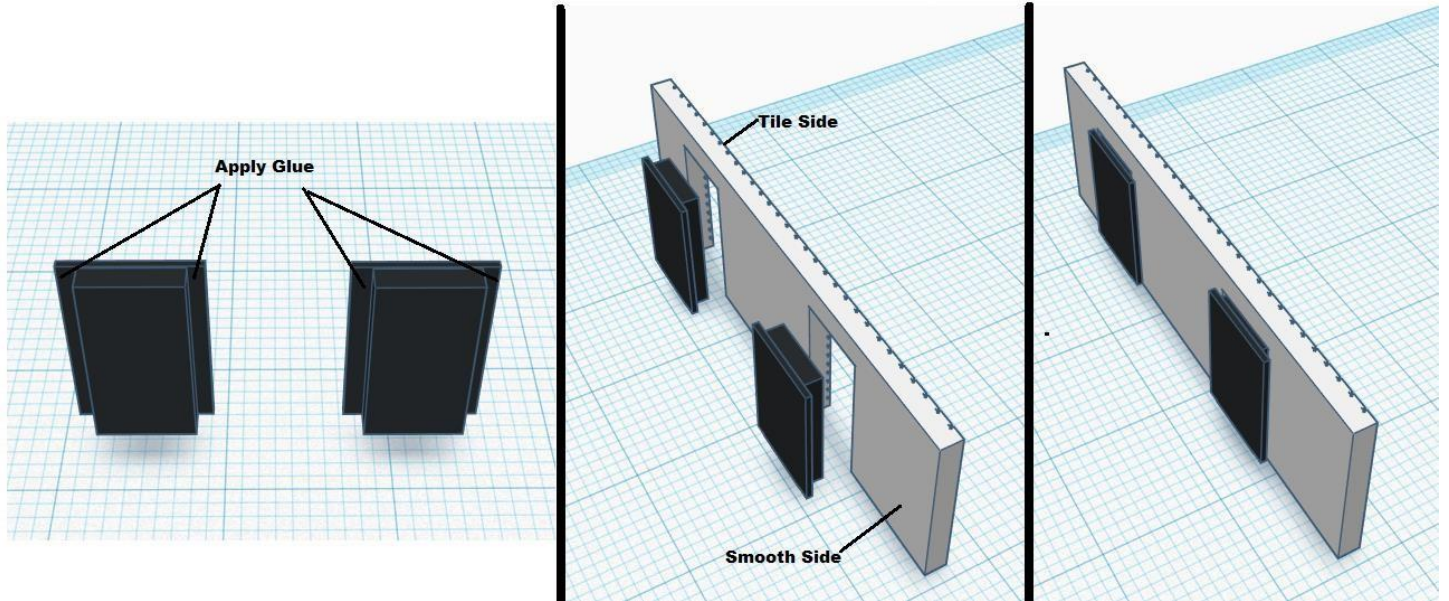
**To make sure things line up I start out with installing the kitchen and kitchen wall.  
You can use the roof support to line it up with.**



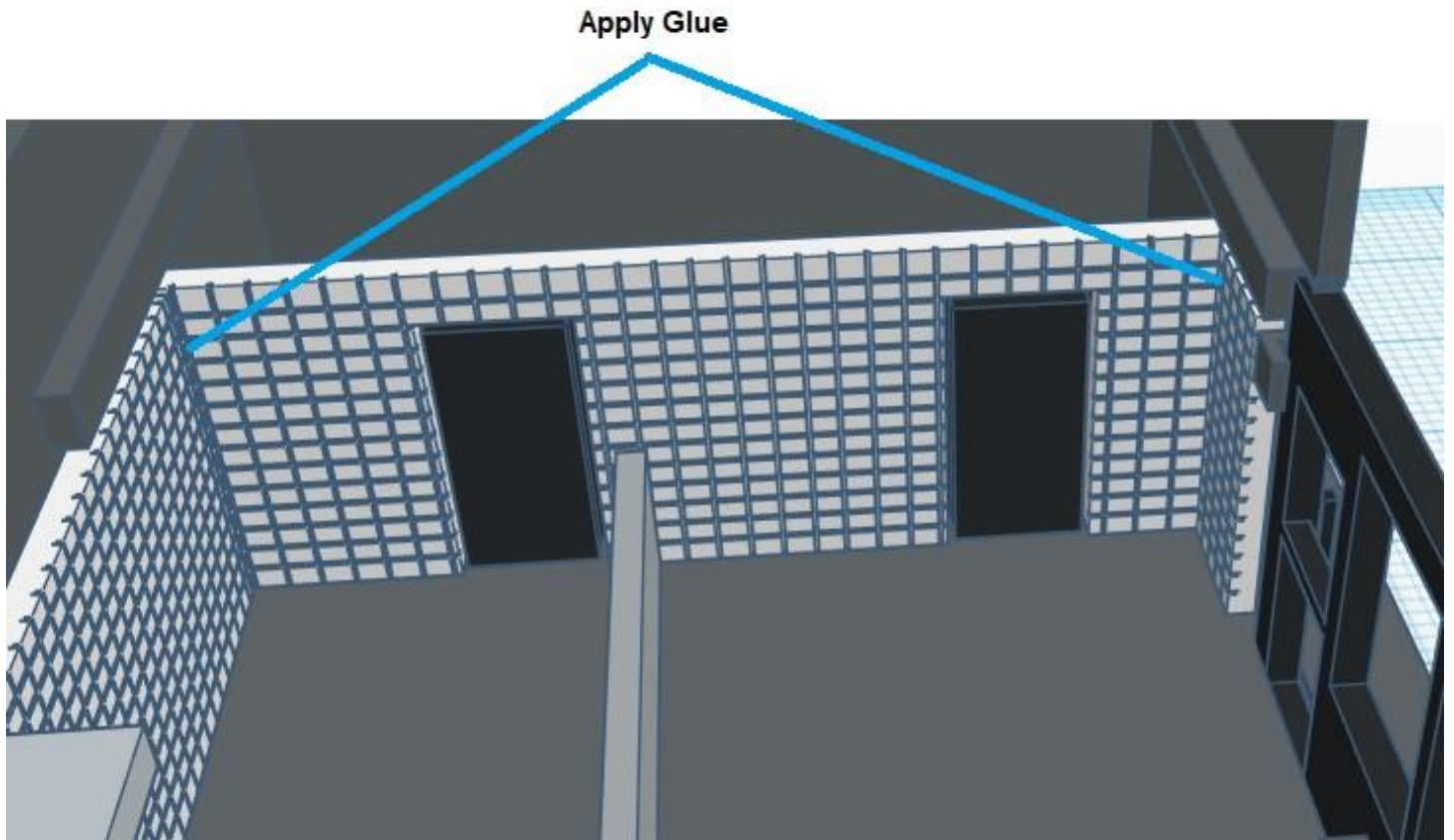
**Then I will add the short wall by the entrance and the counter. I do this as these  
will help line up the office/bathroom wall.**



**At this point I go ahead and glue the doors into the wall.**



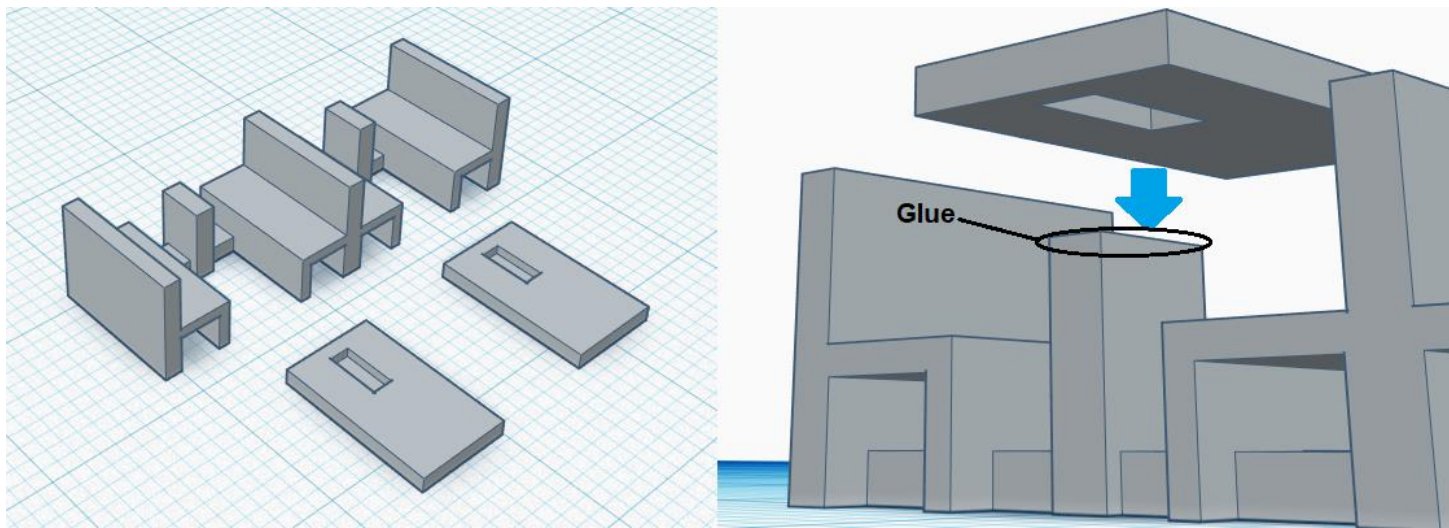
Once the glue has set I set the office/bathroom wall next to the other walls and line them up so that it is square and the counter is also lined up next to it. When you are ready to glue it I just use the outside edge of the two outer walls



Now that these pieces are lined up the rest of the parts will just go into place easily. At this point you will want to paint your counter, seats and tabletops unless you want to leave them grey for a more modern Waffle House interior.

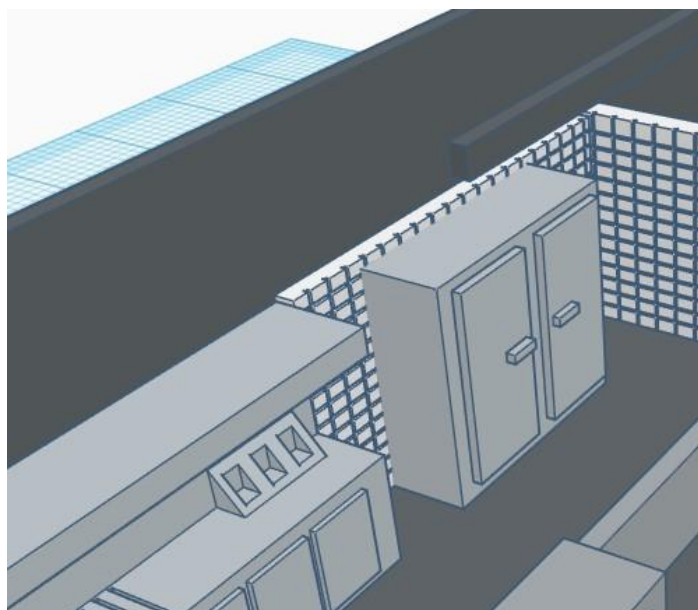
I find it easier to go ahead and paint the booths first then paint the tabletops separately. I use the sticky side of a piece of tape to hold the tabletops as I paint the tops of them. The counter is much easier to paint since it is one piece.

Once dried you can assemble them by placing a very small amount of glue on the table leg and then sliding the tabletop down on it using the rectangle hole to line it up.

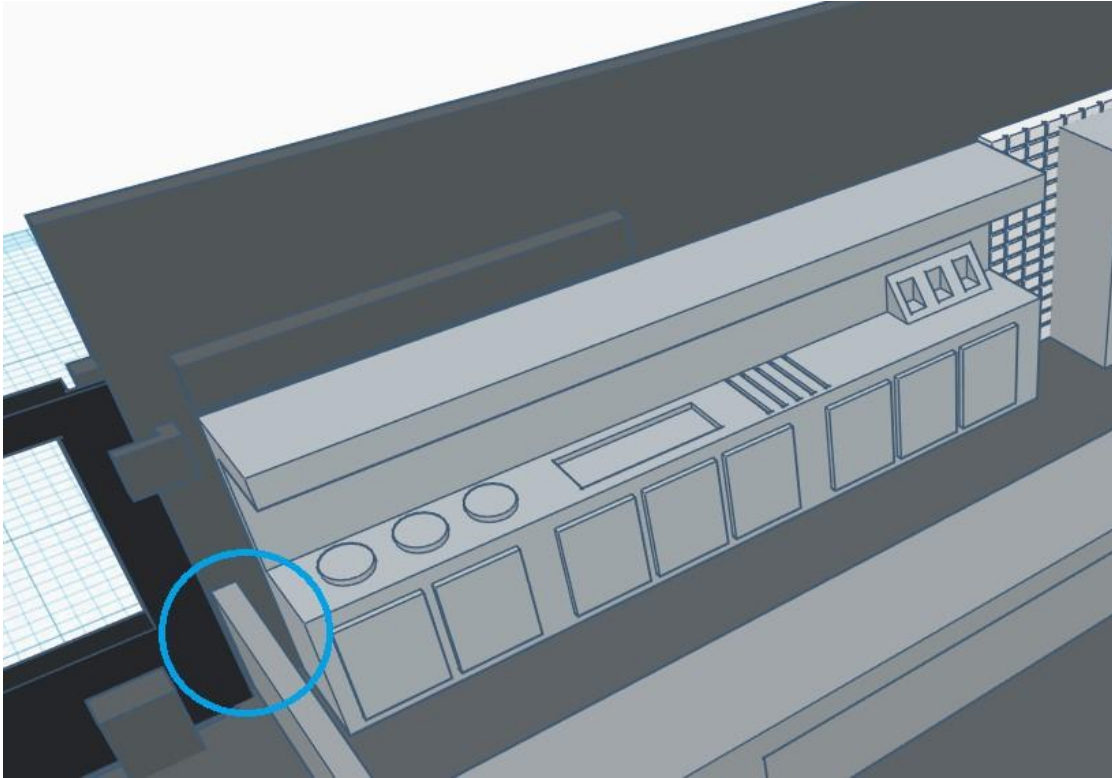


Now that all your parts are ready to go you can place them in their spot for final assembly.

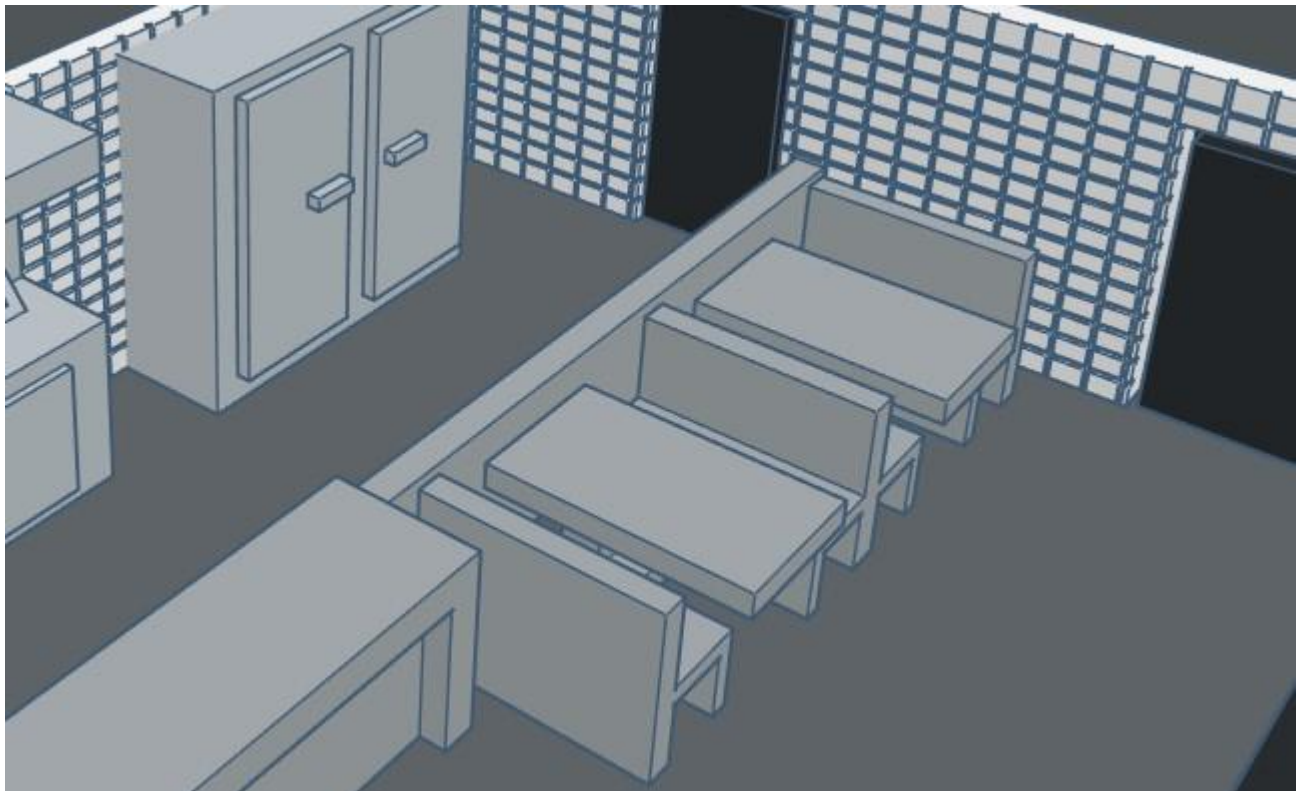
The refrigerator goes on the kitchen tile wall (I glue the bottom of the refrigerator to stick to the floor)



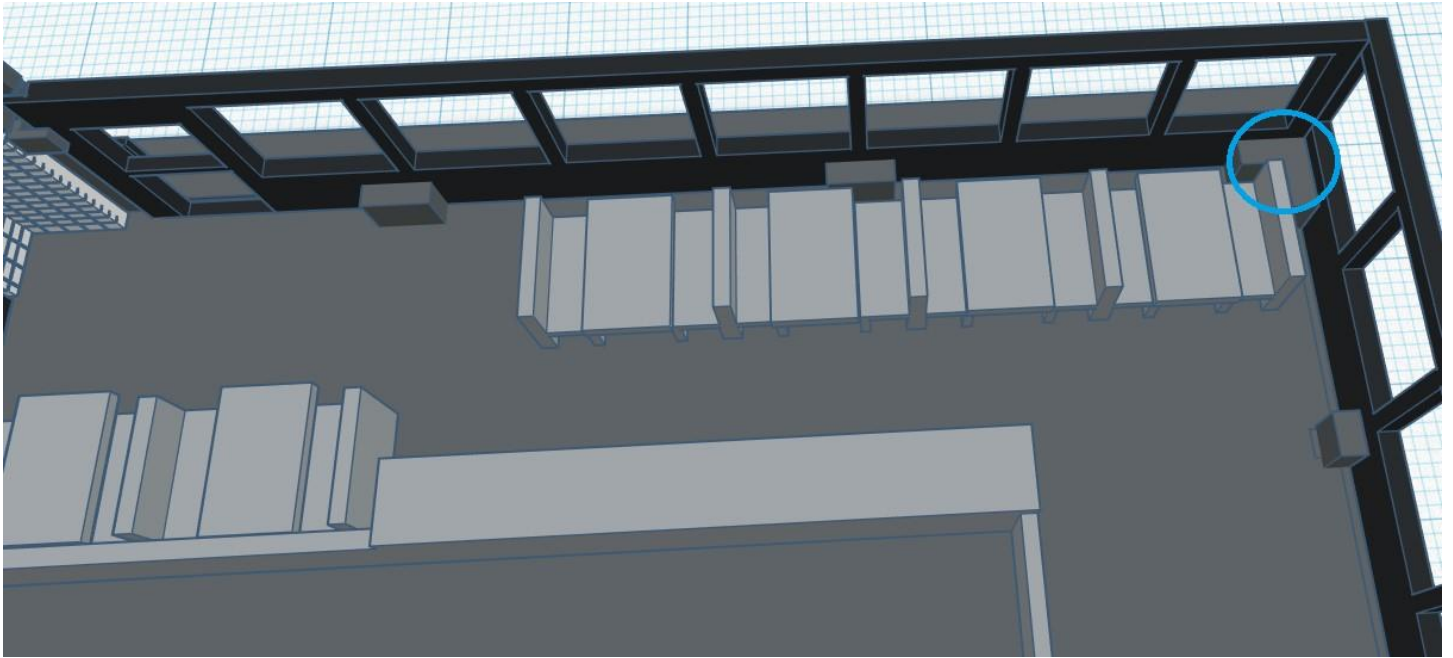
**I line up the countertop where the building meets the windows and glue it to the floor.**



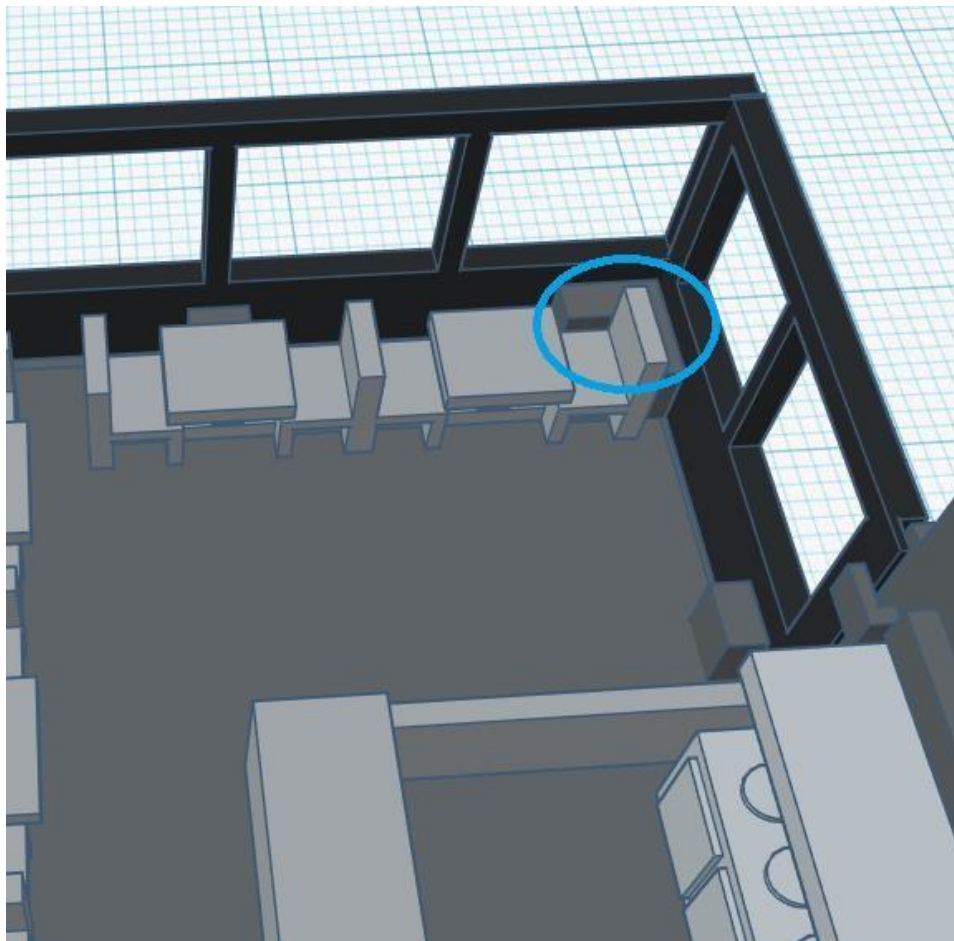
**Place the set of two full size booths next to the counter rail (you can use the plastic strip at the bottom to glue it to the floor).**



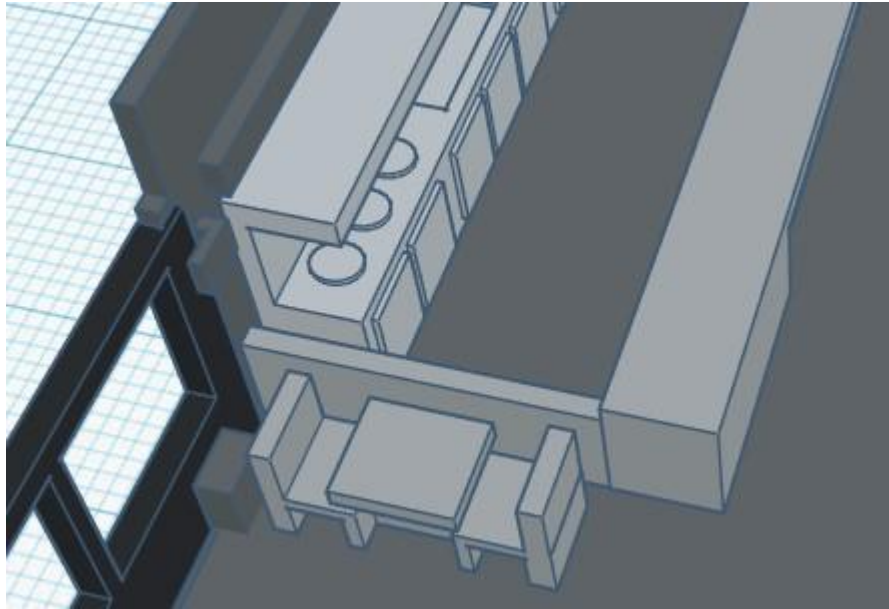
**Place the set of four full size tables running next to the long set of windows. You can use the corner brace to help line them up.**



**The set of two small booths goes on the middle set of windows. Again you can use the other corner brace to line them up.**



**Finally place the single small booth next to the kitchen against the rail.**



**Now you have a completed Waffle House interior.**

