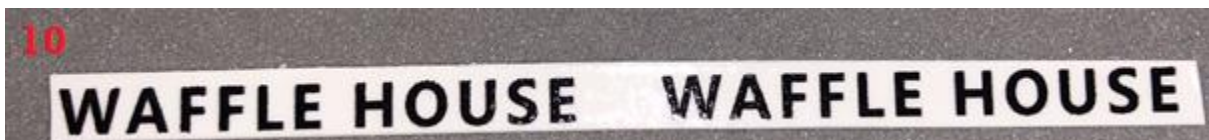
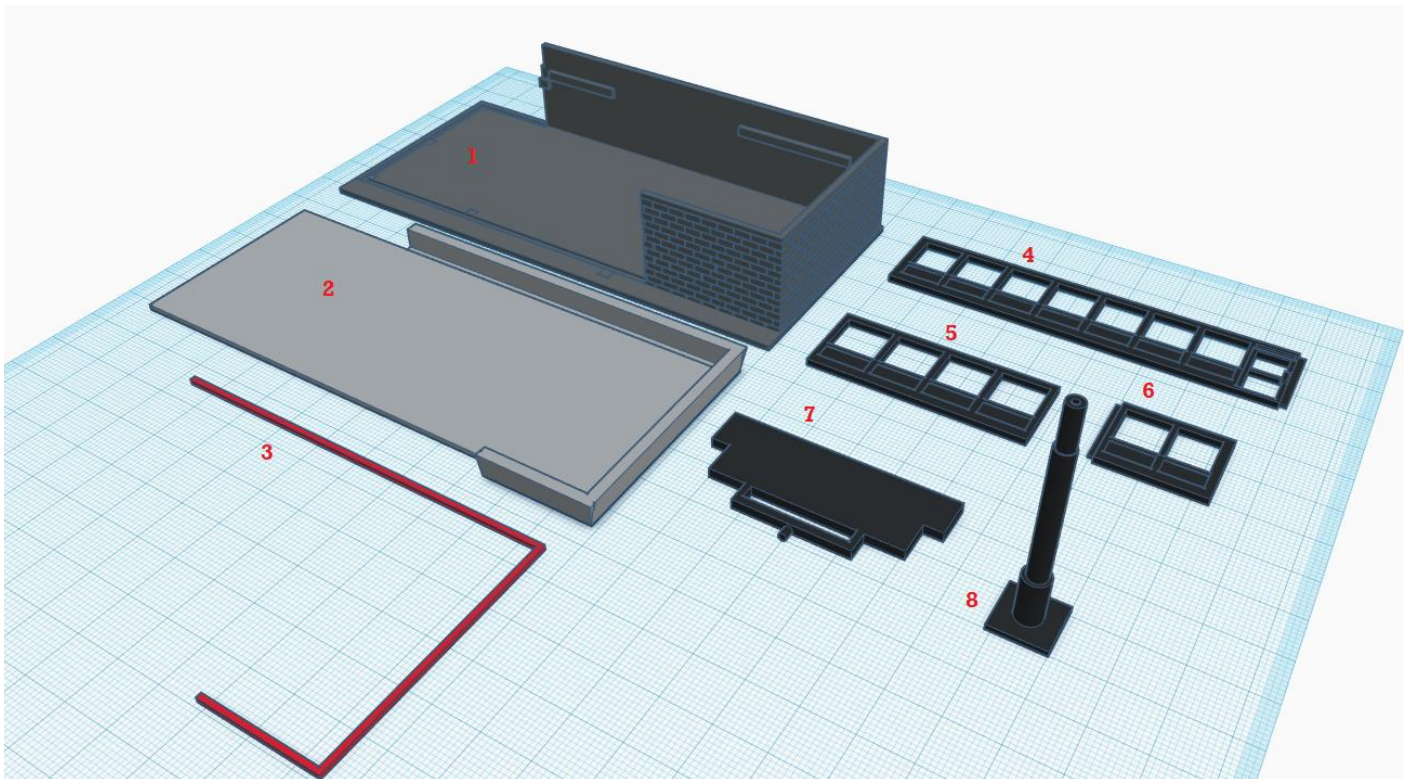


Waffle House Kit Assembly Instructions

Your kit should include the following items

1. Main Building
2. Roof
3. Roof Trim
4. Long Window and Door
5. Middle Window
6. Short Window
7. Sign
8. Pole
9. Vinyl Stickers for Sign
10. Water Transfer Decals for Roof

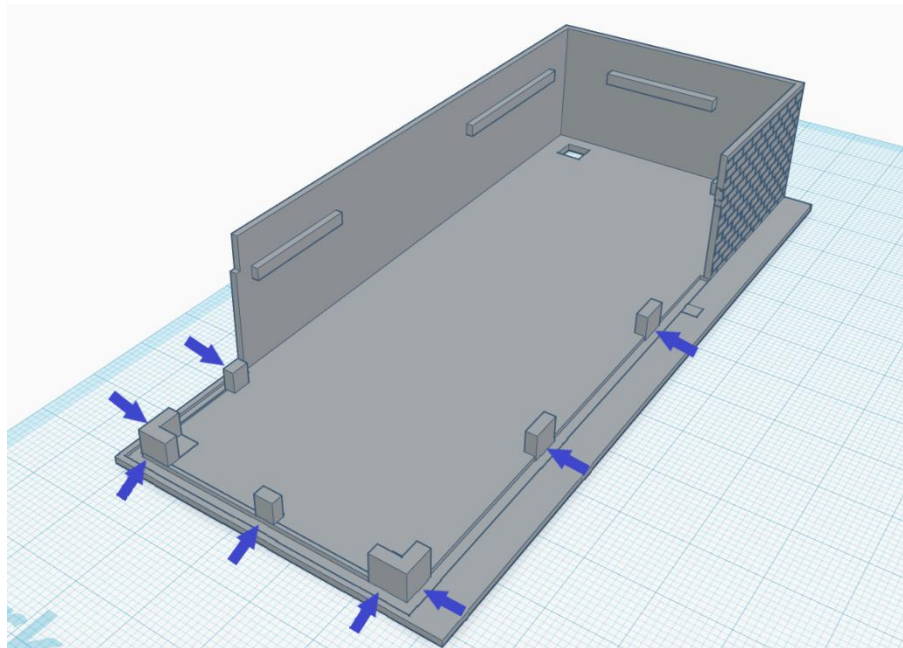


When it comes to assembly I am going to share the process I use. This is a simple kit and if you have any alternative methods that you feel are beneficial please feel free to use them.

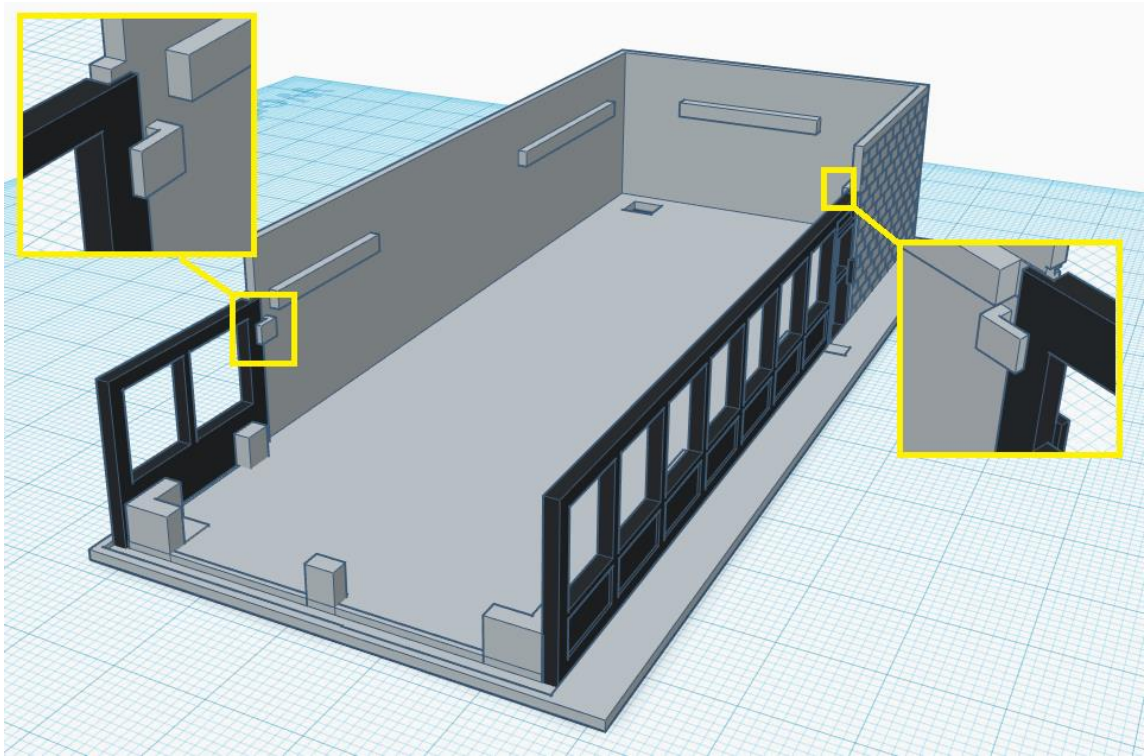
As a first step I normally prime and paint the main building. I personally use Krylon Fusion Matte River Rock for the base coat and then use black and brown weathering powders to get the varied brick pattern color. Also that color looks good on the sidewalk as a bonus.

For the roof I tape off the flat part and use either Krylon Outdoor Décor Warm Sun or Testors Gloss Bug yellow as the color close to a faded Waffle House yellow.

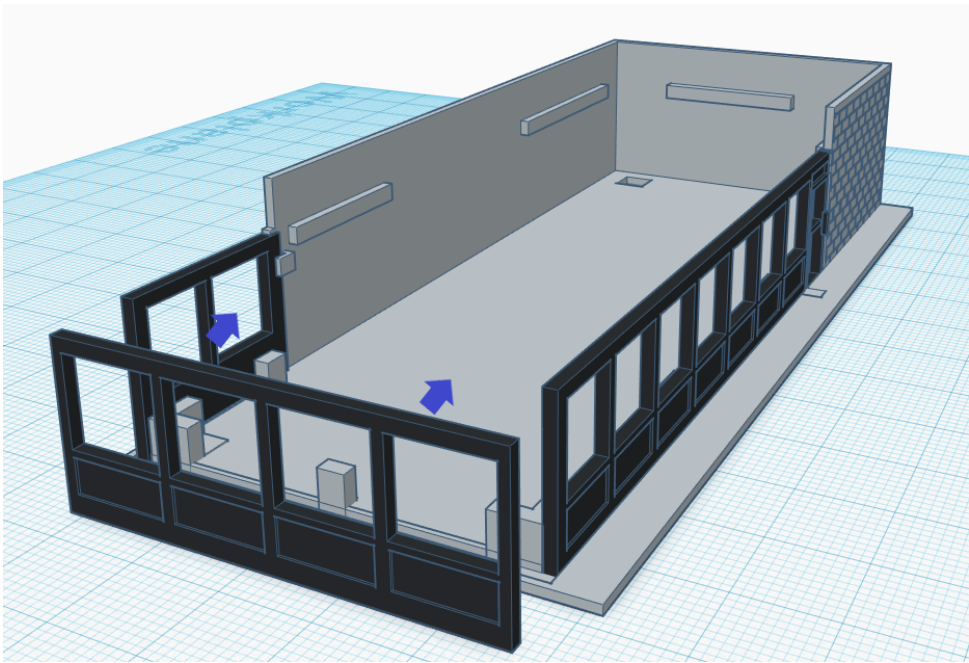
When assembling the first step is to put some glue on the supports. I use Testors model cement as it is a little thicker.

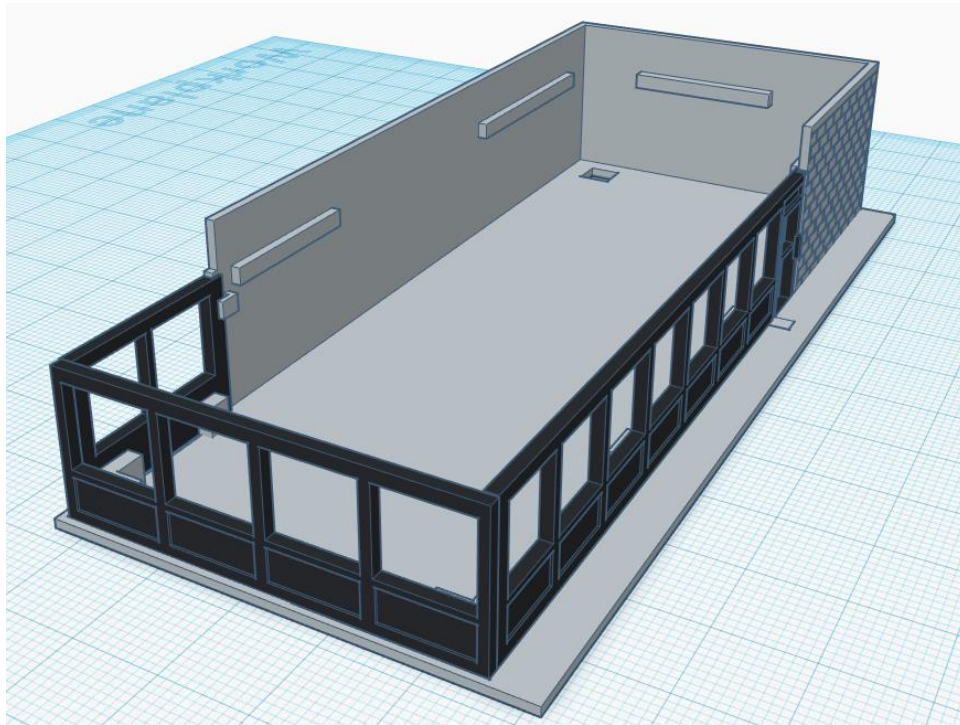


Now attach your outer windows. Slide them into the tabs so that it holds your wall up straight.



Now attach the last window so it is on the outside of the first two and line up the corners.



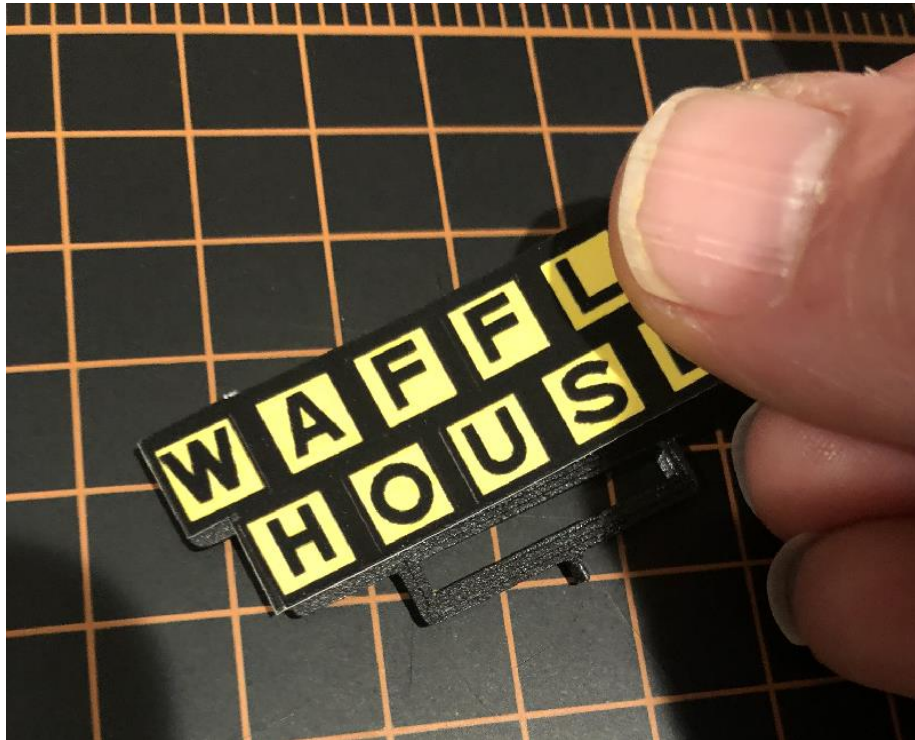


Now you can let the glue dry.

As a reminder for the sign these are stickers not water decals. The vinyl stickers need to be cut out to the proper size. I normally use a hobby knife and a ruler to trim off the excess.

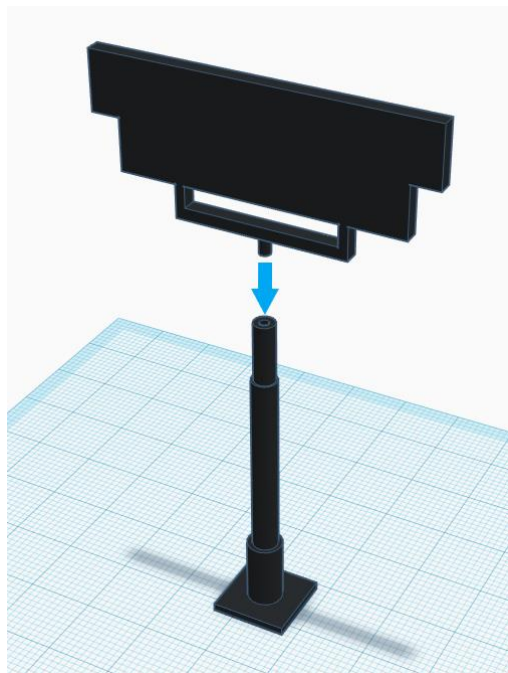


Once you trim it to the excess you can peel the back off and stick it to the sign.



Follow the same steps for the other side. Once you do that you can now attach the sign to the post. I usually put just a tiny drop of glue first and then twist it a little to get it connect easier.

Also check to make sure it is not leaning forward or backwards or tilting to one side. Once you get it lined up the glue will help hold it there when dry.



After your roof piece has been painted you can apply the water decals.
You will need to cut them down to size.



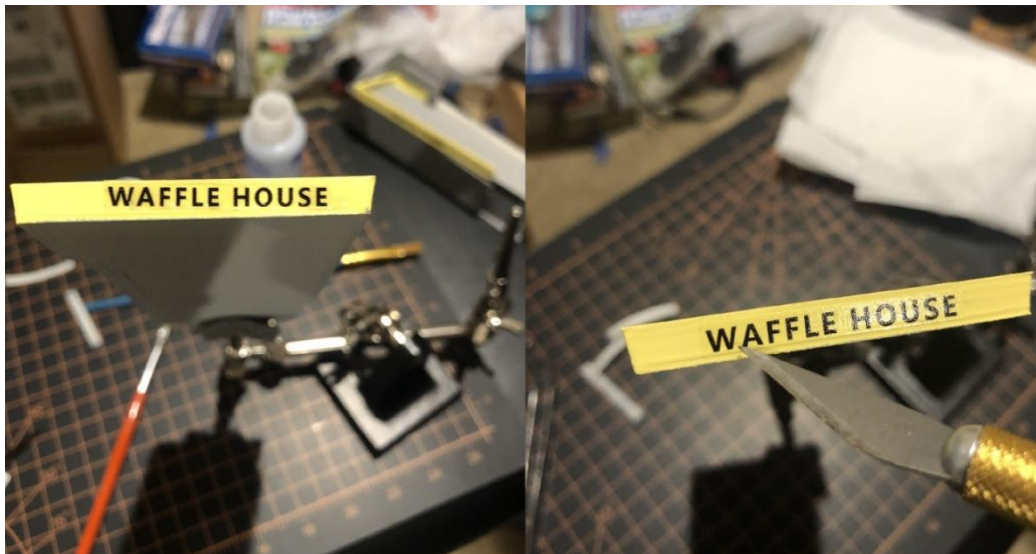
Once cut I brush on some Micro Sol to the surface I will be placing the decal on.



I then place the decal in a small amount of warm distilled water for about 10 seconds.



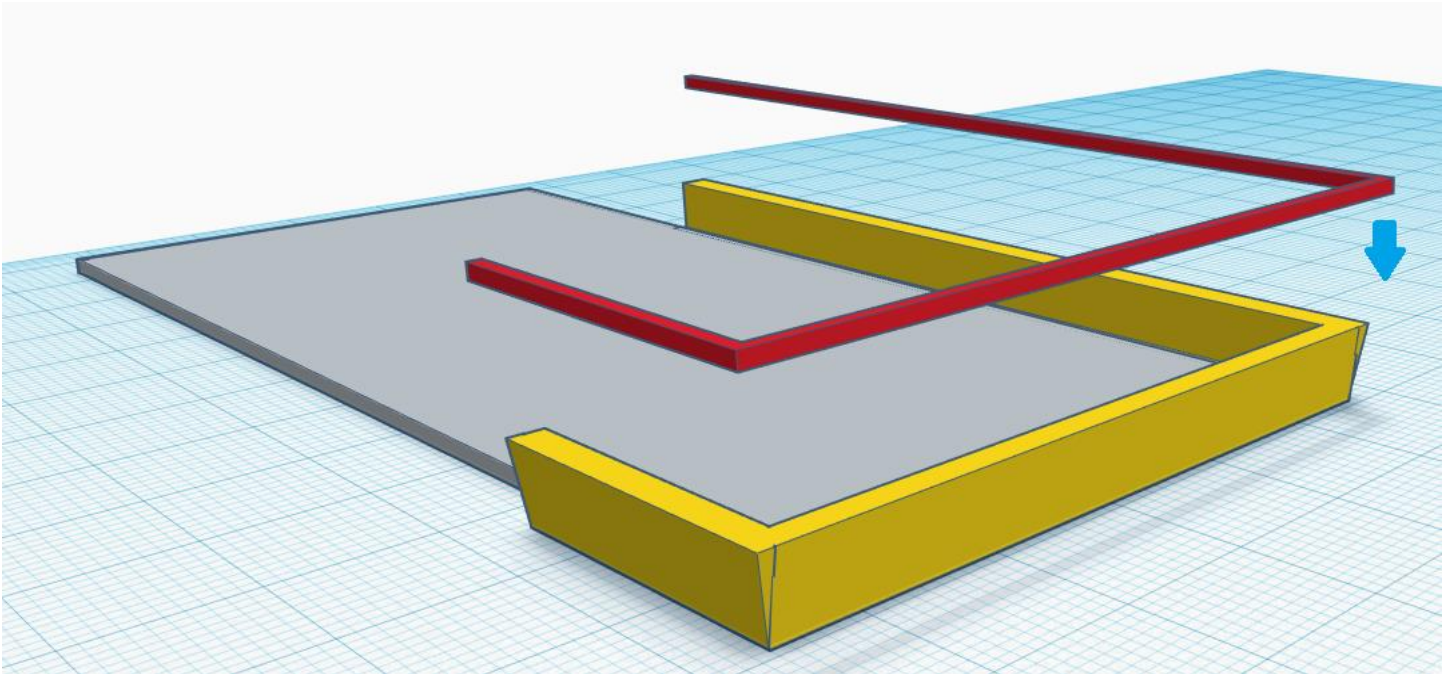
I then pull the decal out with tweezers leaving the paper in the water and place it on the surface. I then gently use a hobby knife to help line it up and get it straight



After the decal is straight, I brush on another light layer of Micro Sol to smooth out the decal and let it dry. After it has completely dried, I then go back and spray it with a layer of dullcoat (or something similar) to seal and protect the decal.

Now that your roof is painted and sealed you can add the red roof trim. You can dry fit the trim to see how it will line up. It is meant to go right up the edge all the way around (see picture below).

I put just a little bit of Microscale Kristal Klear on the bottom of the red trim in a few spots (just enough to hold it in place) and then place it down on the edge of the roof.



Slide the roof into place and you have a finished Waffle House.

