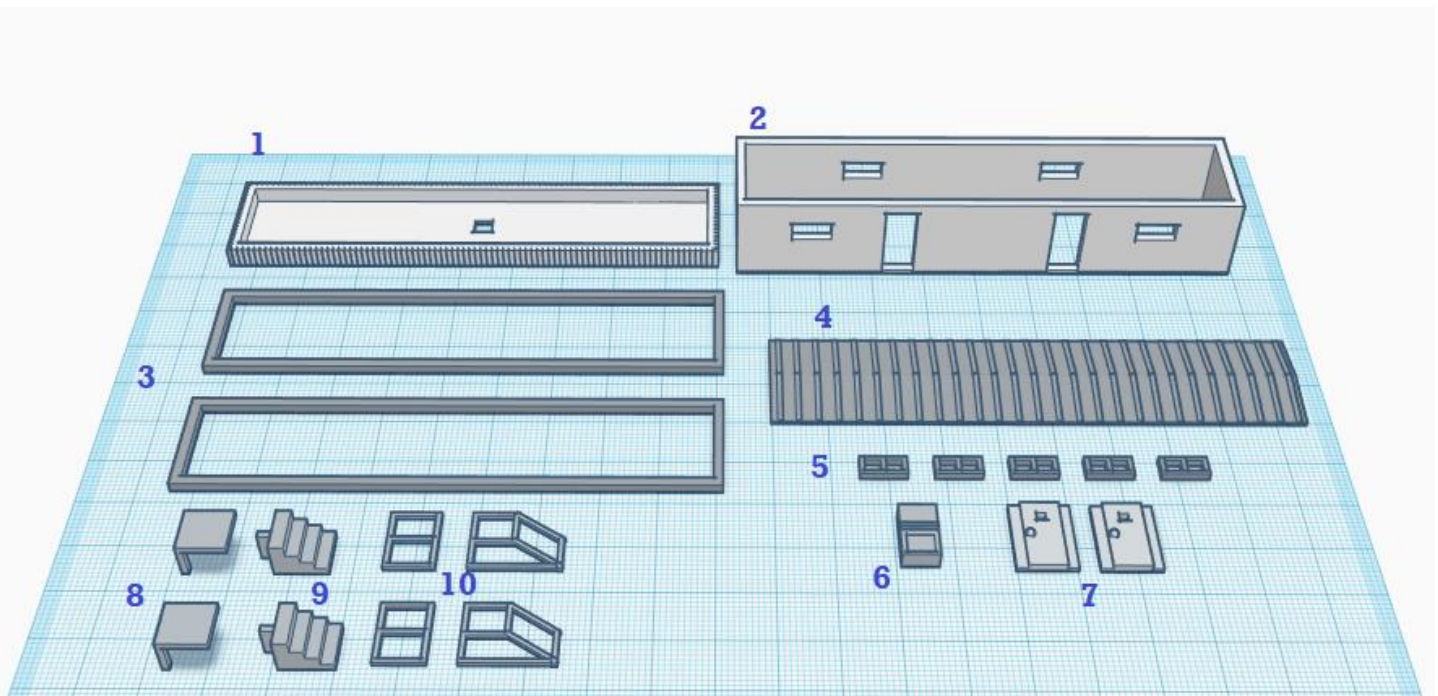


# N Scale Job Site Trailer Assembly Instructions

## Parts List



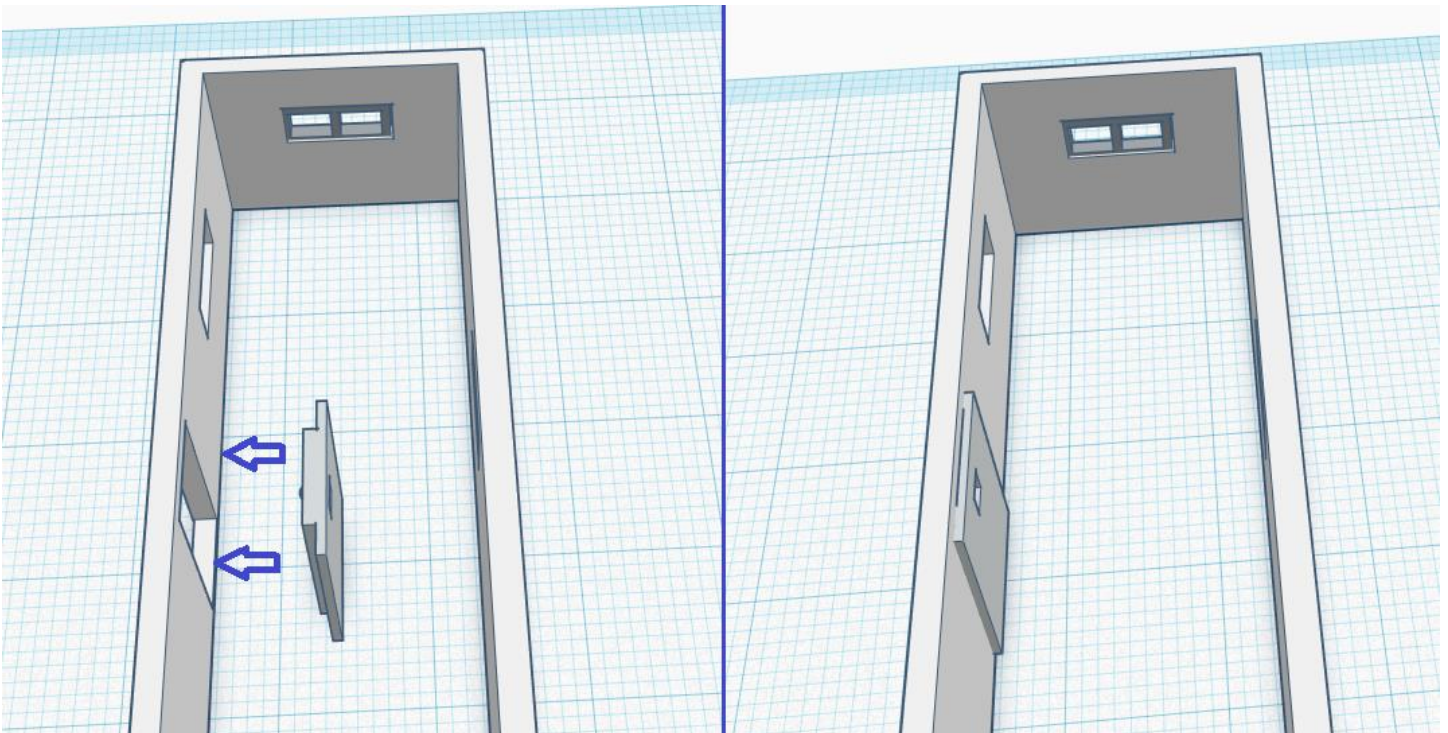
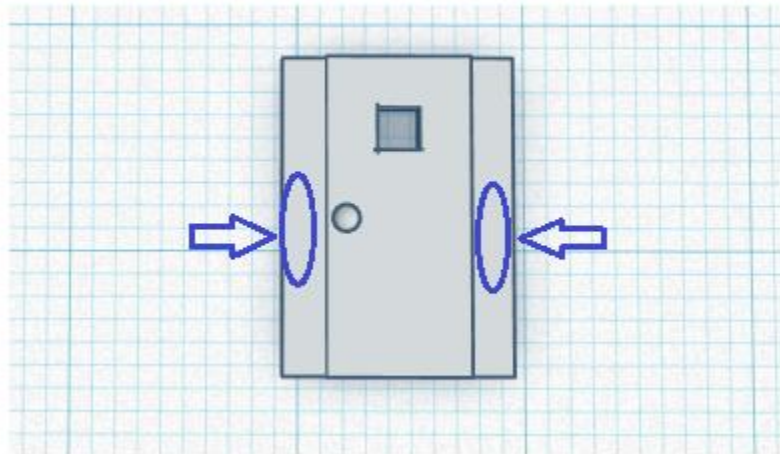
1. Trailer Base
2. Trailer
3. Top and Bottom Bands
4. Roof
5. Windows
6. A/C Unit
7. Doors (x2)
8. Step Platform (x2)
9. Steps (x2)
10. Hand Rail Set (x2)

## Doors and Windows

The windows will already be installed so only the doors will need to be glued into place for this section.

With the door facing up add a small amount of glue (I have used Testors or Micro Scale Krystal Klear) to the outer edges.

Glue

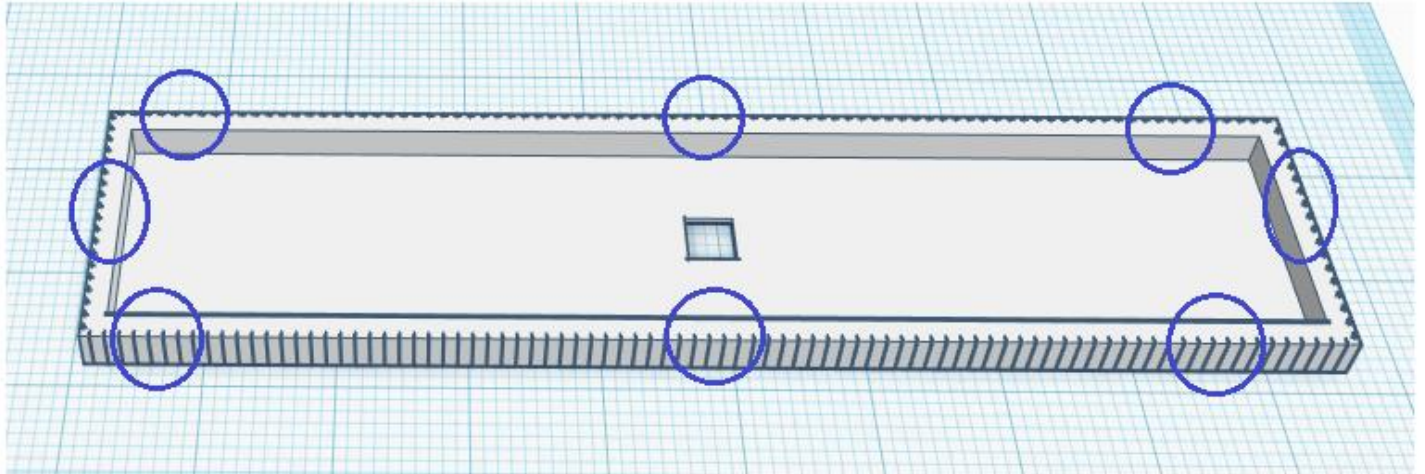


Do the same for the second door.

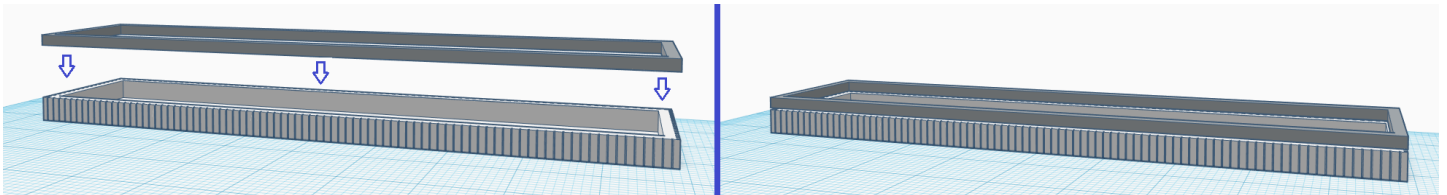
## Trailer Assembly

Get the base and place a small amount of glue around the corners and in the middle. Make sure not to use too much as it will come out the sides.

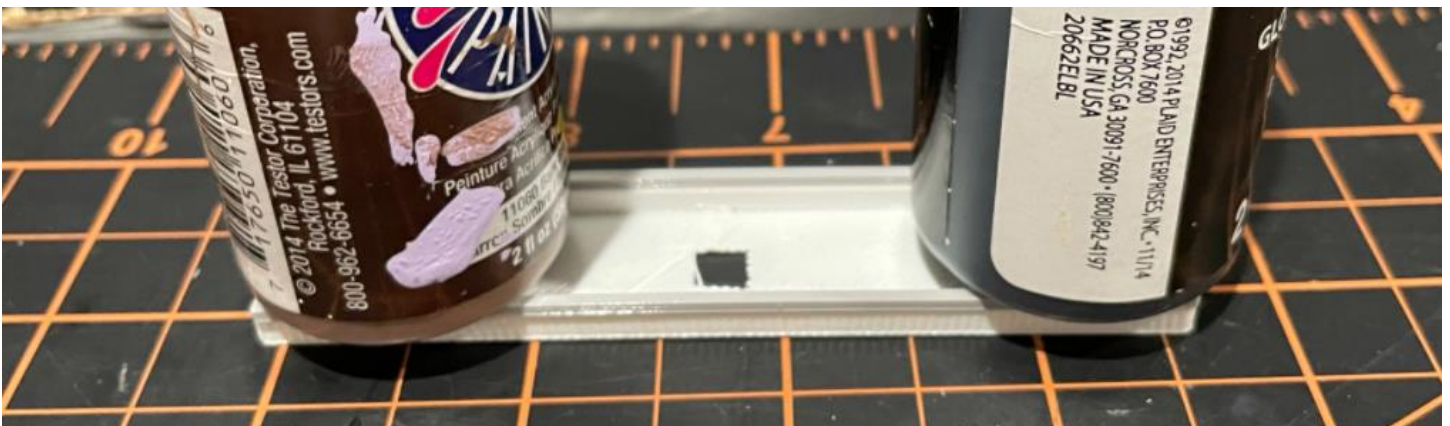
Glue



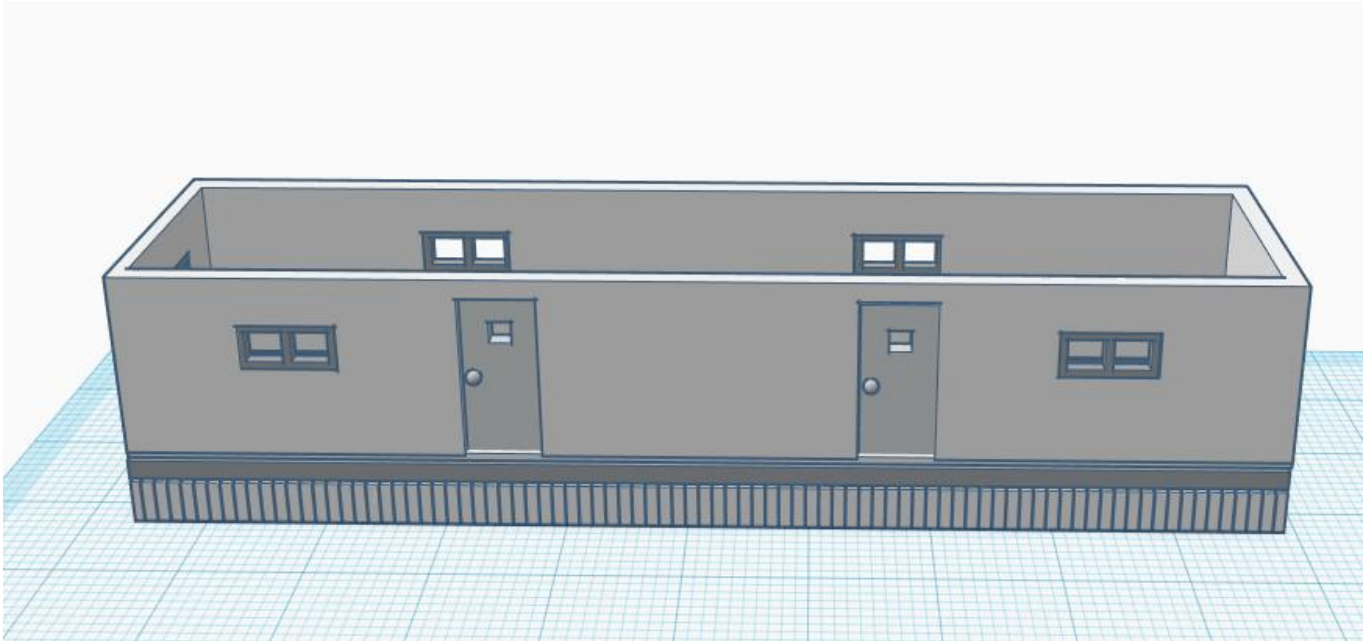
Now place one of the bands on top of the base and line it up.



At this point I would suggest placing something flat with a little bit of weight to ensure they glue together flat (I normally use acrylic paint bottles)

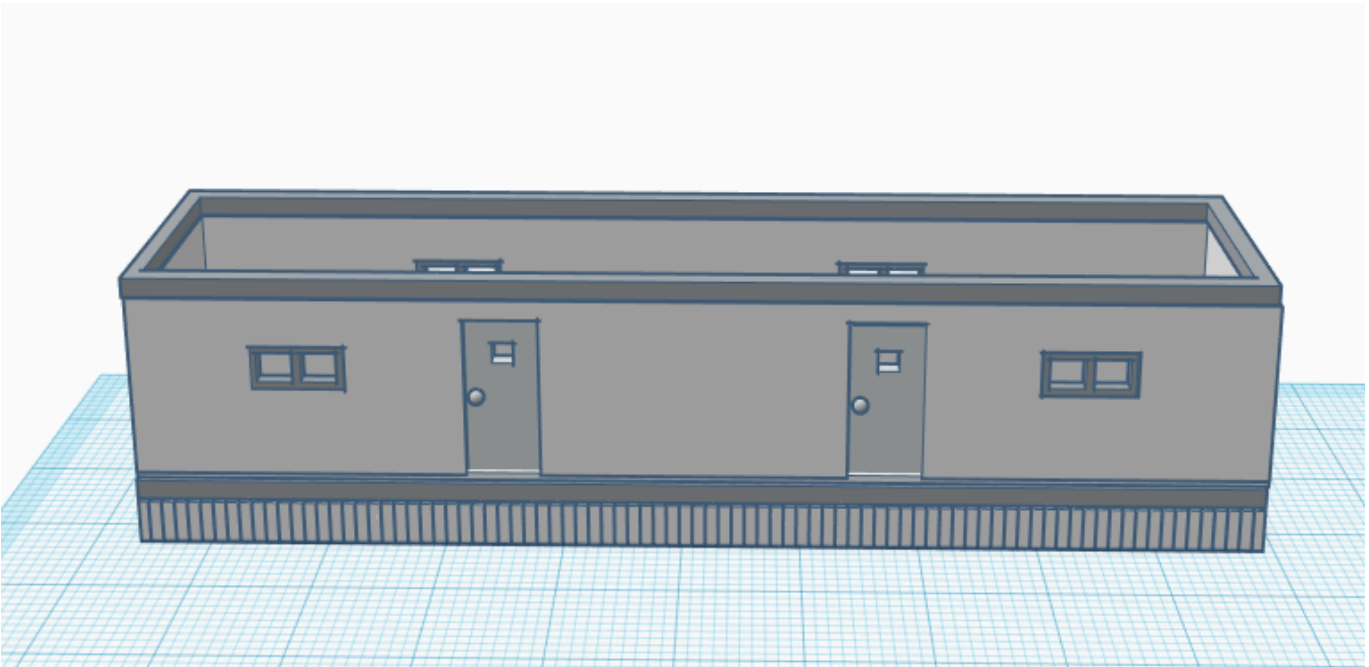


**After about 10 minutes I remove the bottles and apply glue just like I did to the base on top of the band you just applied and now I place the trailer on top of it and line it up.**

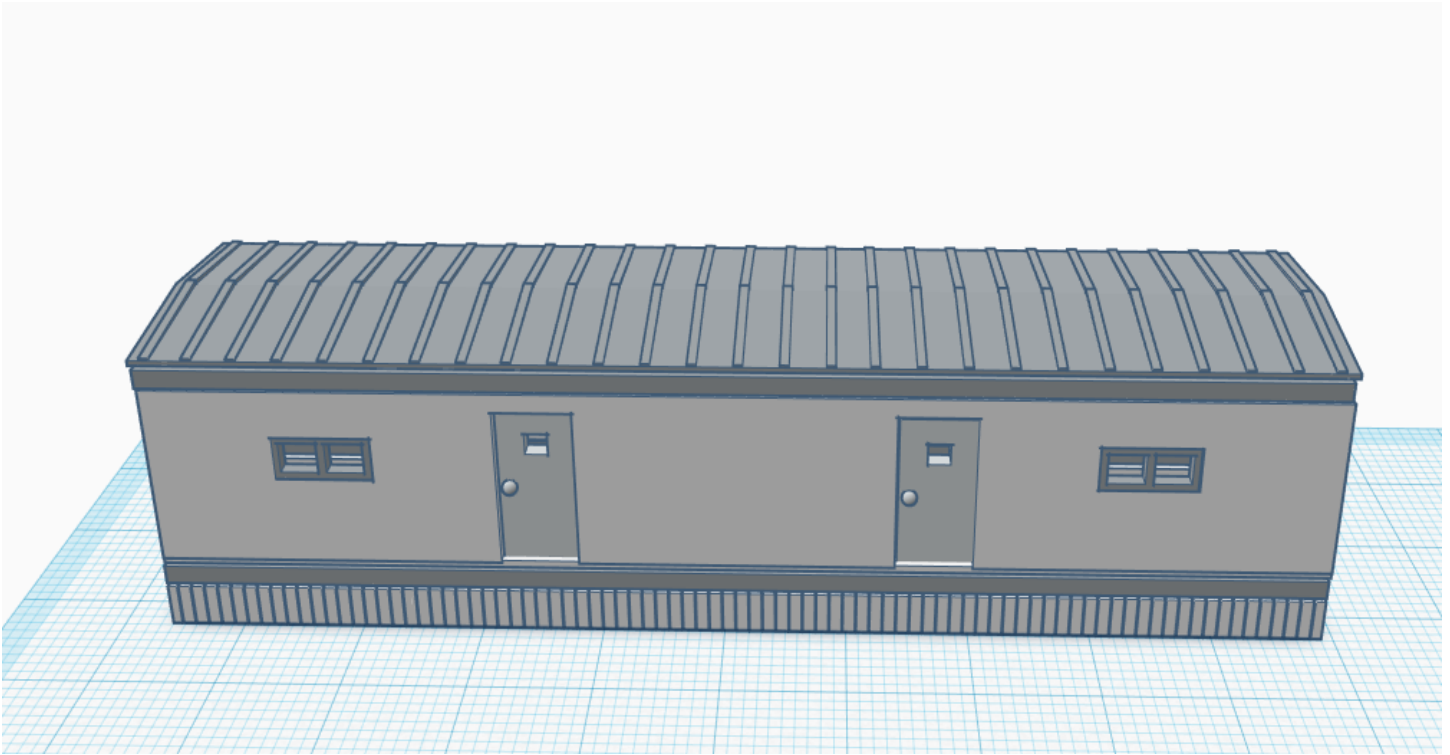


**Again place some weight on top of the model and let it dry for 10 minutes.**

**Apply the glue again in the same places around the top of the trailer and place the second band around the top.**



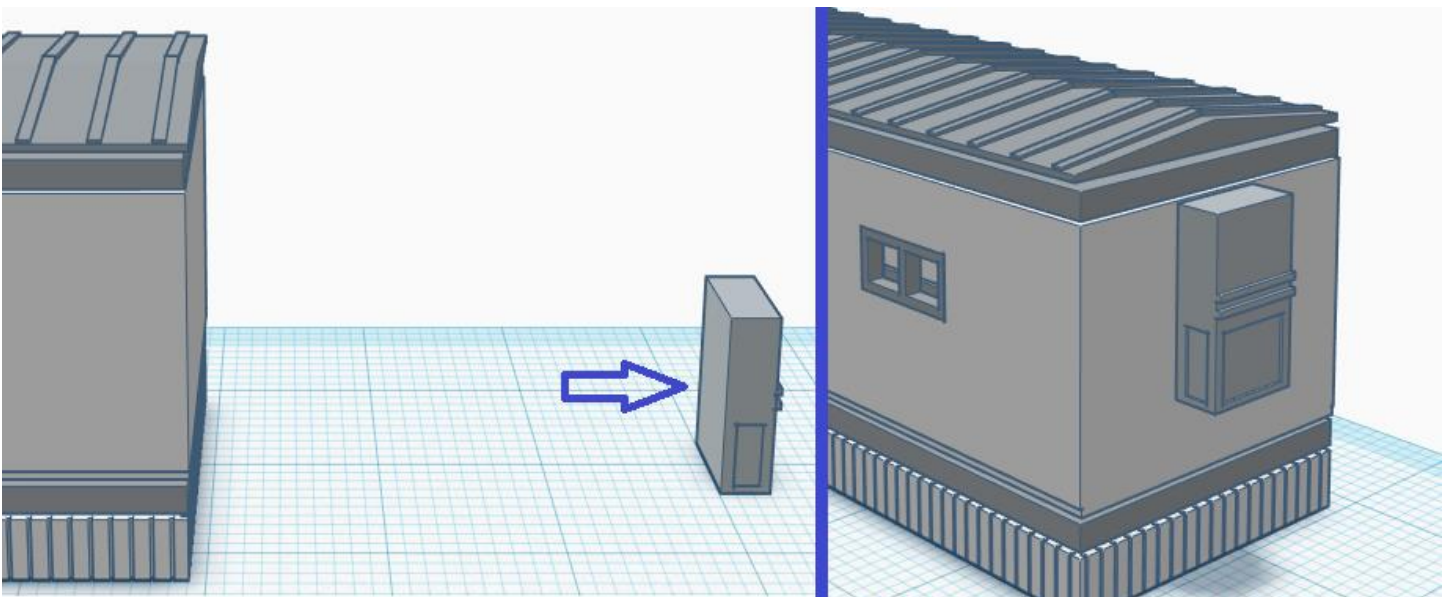
**Once again apply a small amount of glue around the top of the band and install the roof.**



**Again place something with some weight on the roof to keep it flat for about 10 minutes and let it dry.**

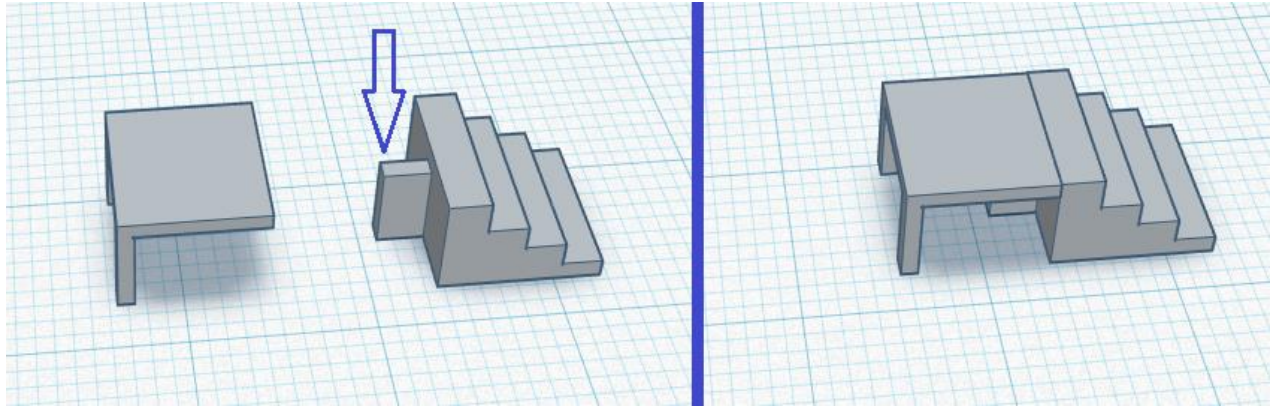
### **A/C Unit Installation**

**Apply glue to the back (flat part) of the A/C unit then stick it to the side of the trailer that has no window.**



## Stair and Handrail Assembly

Take the steps and apply a small amount of glue to the top of the tab then set the platform on top of it and allow it to dry.



Once that is dry you can add the handrails. I start with the larger one and apply glue to the inside part of the rail (I like to use Micro Scale Krystal Klear here since it dries clear).

