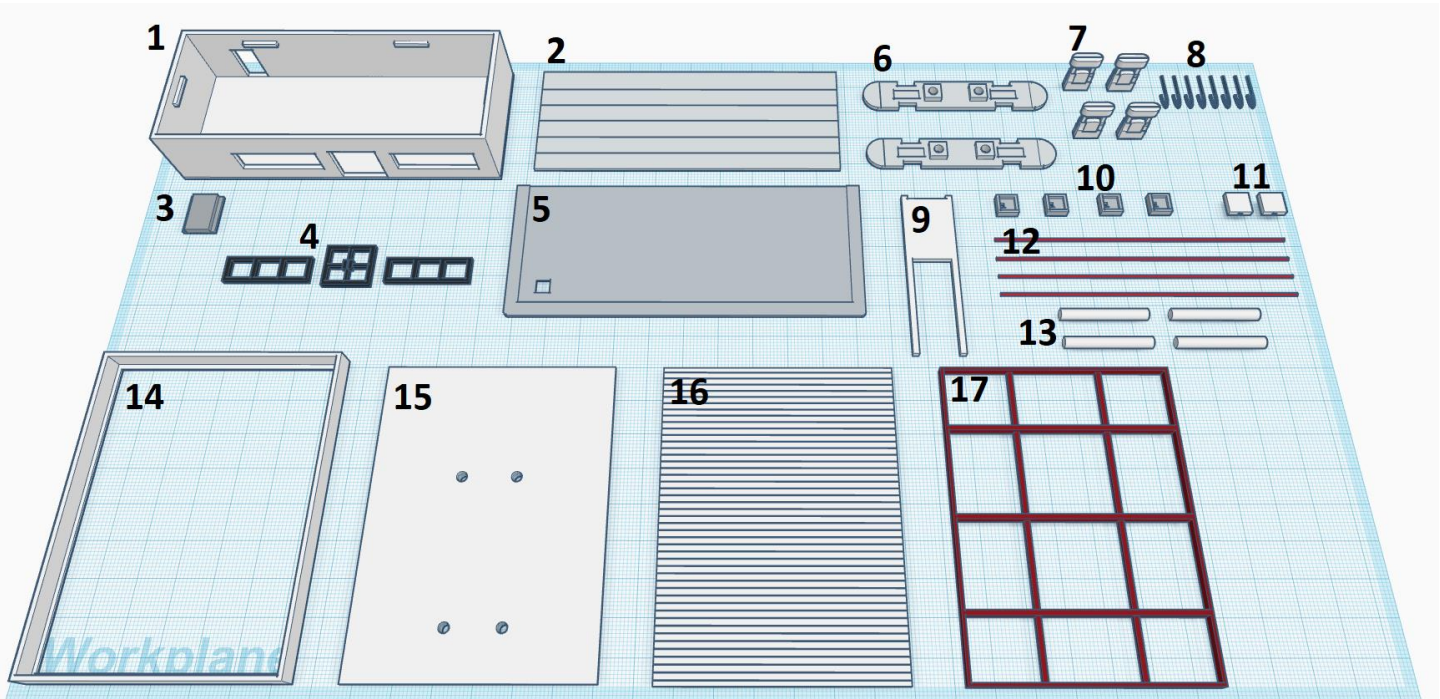


Shell Station Assembly Instructions



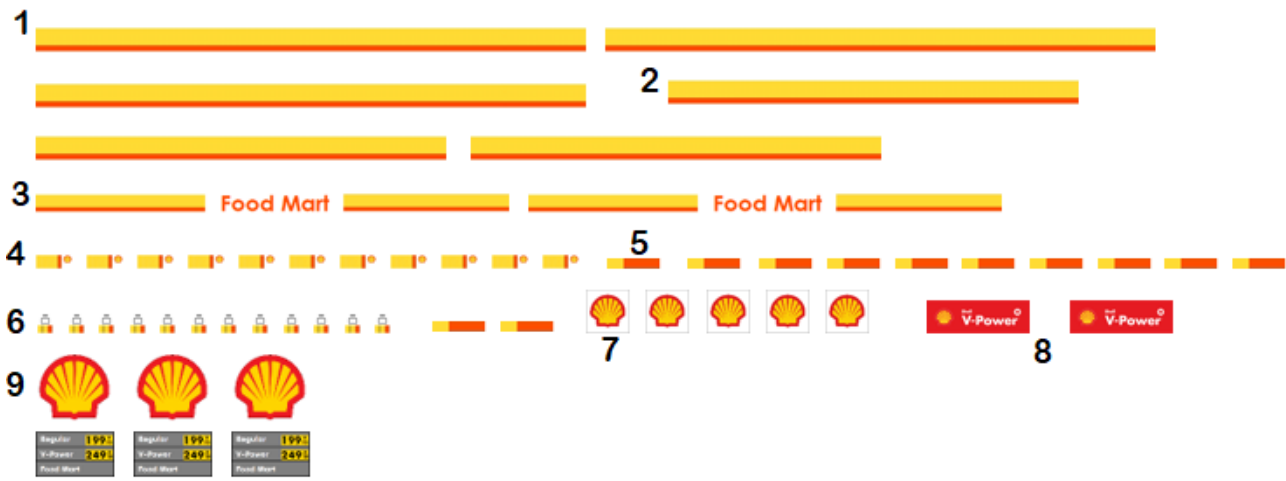
Parts List

- | | | | |
|-----|----------------------------------|-----|---------------------------|
| 1. | Main Building | 12. | Red Trim for Canopy |
| 2. | Roof for Building | 13. | Poles for Gas Pump Island |
| 3. | Back Door | 14. | Canopy Outer Frame |
| 4. | Windows and front Door | 15. | Ceiling for Canopy |
| 5. | Sidewalk/Foundation for Building | 16. | Roof for Canopy |
| 6. | Gas Pump Islands | 17. | Canopy top Framework |
| 7. | Gas Pumps | | |
| 8. | Gas Pump Hoses | | |
| 9. | Sign | | |
| 10. | Canopy Light Shades | | |
| 11. | Shell Logo Base for Canopy | | |

This kit does not include LEDs, however I will include the information in the instructions if you wish to purchase some on eBay or Amazon and add them. I would suggest 0402 SMD LED lights. Warm white for the Shell logo and bright white for the lights under the canopy.

Vinyl Sticker Locations

There are extra vinyl stickers included in case you accidentally damage one during trimming them off the paper. Below is a guide to where each one goes.



1. On the long side of the canopy
2. Short side of the canopy
3. Front of the main building
4. Bottom of the gas pump
5. Top of the gas pump
6. Middle of the gas pump
7. On the square that holds the Shell log
8. On the side of the main building
9. Shell Sign

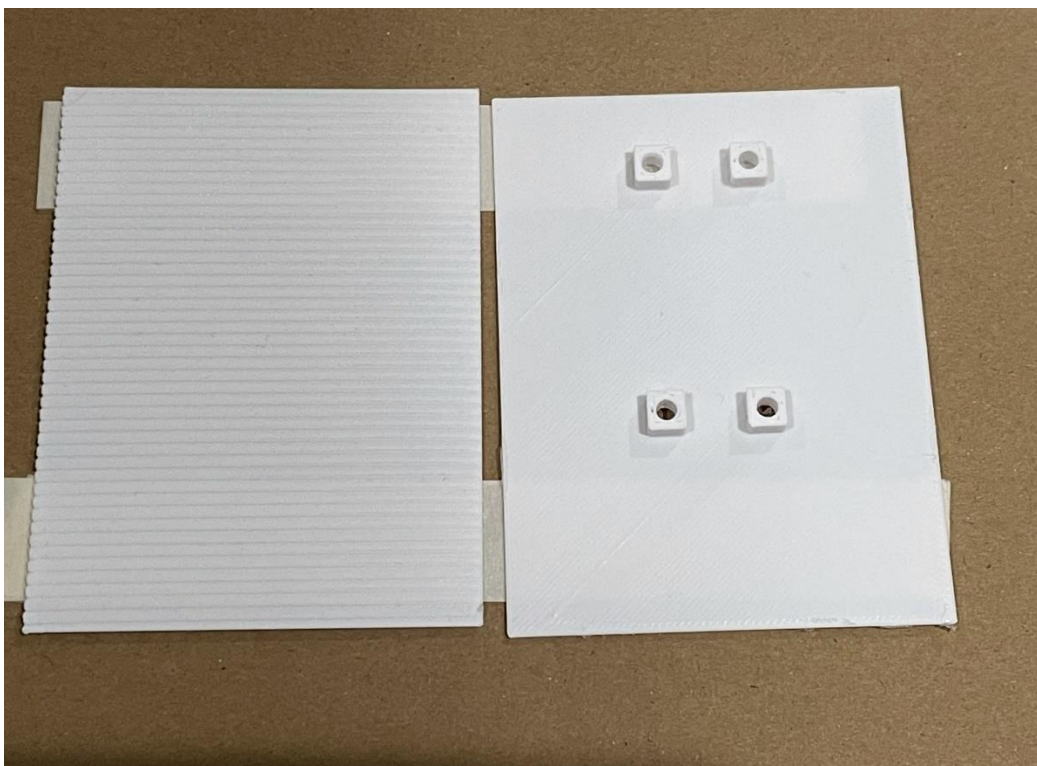
Use a hobby knife to trim them off the paper and then remove the backing. Try and trim as close to the logo as you can.

Priming the Surfaces

I would recommend priming the surfaces with Tamiya white primer. This will help block the light if you choose to add LEDs and it will allow the vinyl stickers a good surface to attach to. Also if you plan on weathering it then that will all aid with any paint or weathering powders you choose to use.



Something I have learned when priming the canopy parts is that because they are thin when the primer soaks in it can cause them to bend a little. To prevent this, use some masking tape and tape them down to a surface when spraying primer on them. Leave them taped down until the primer is completely dry.

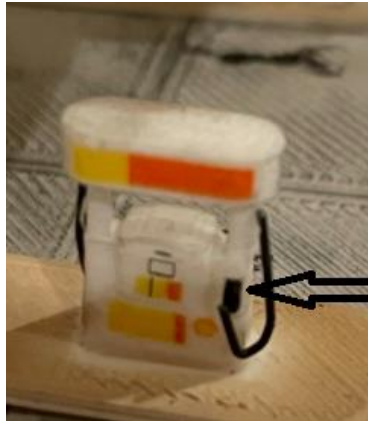


Gas Pump Assembly

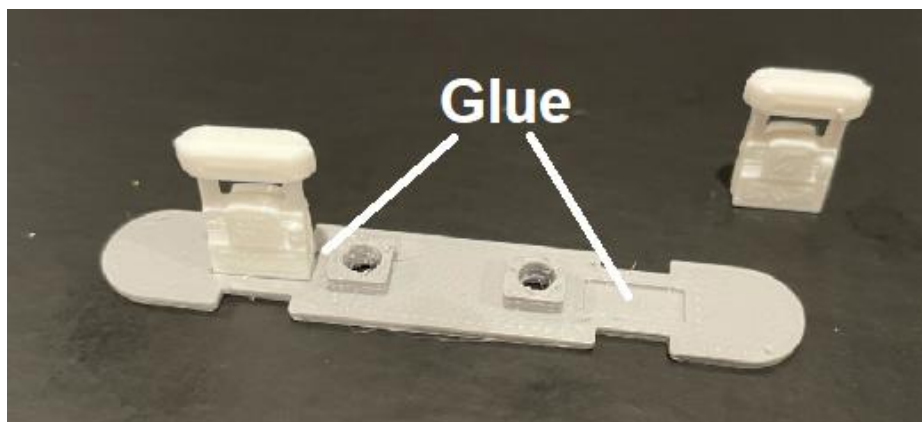
The gas pumps consist of parts 6,7, and 8.

If you plan on painting any parts of the gas pumps I would do that first (such as the concrete pad the pumps sit on) however the pumps were printed in white to look like an actual Shell station so not much painting should be necessary.

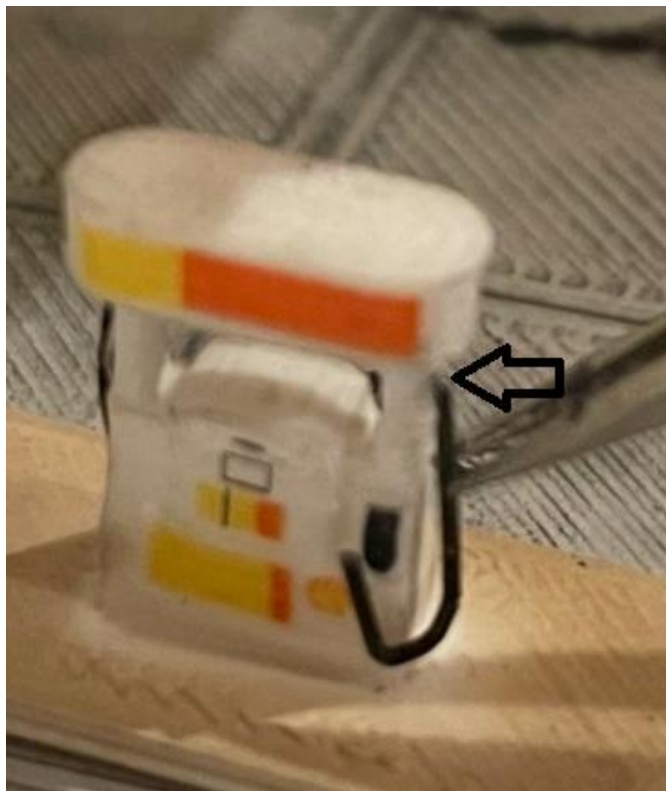
When building these I like to take a Sharpie and color the part where the pump handle would usually be in black. I suggest doing this before applying the stickers and gluing them to the concrete base.



Once you have all your stickers (do not attach the hoses yet) you can glue the pumps down to the concrete base.



Now you can take your gas pump hoses and attach them. I like to use Microscale Krystal Klear to attach them. Put just a drop of glue on the right side as you are facing them and then attach the gas pump hose as pictured. I like to use Krystal Klear because it is thick enough to hold the wire so you can use tweezers to line it up.

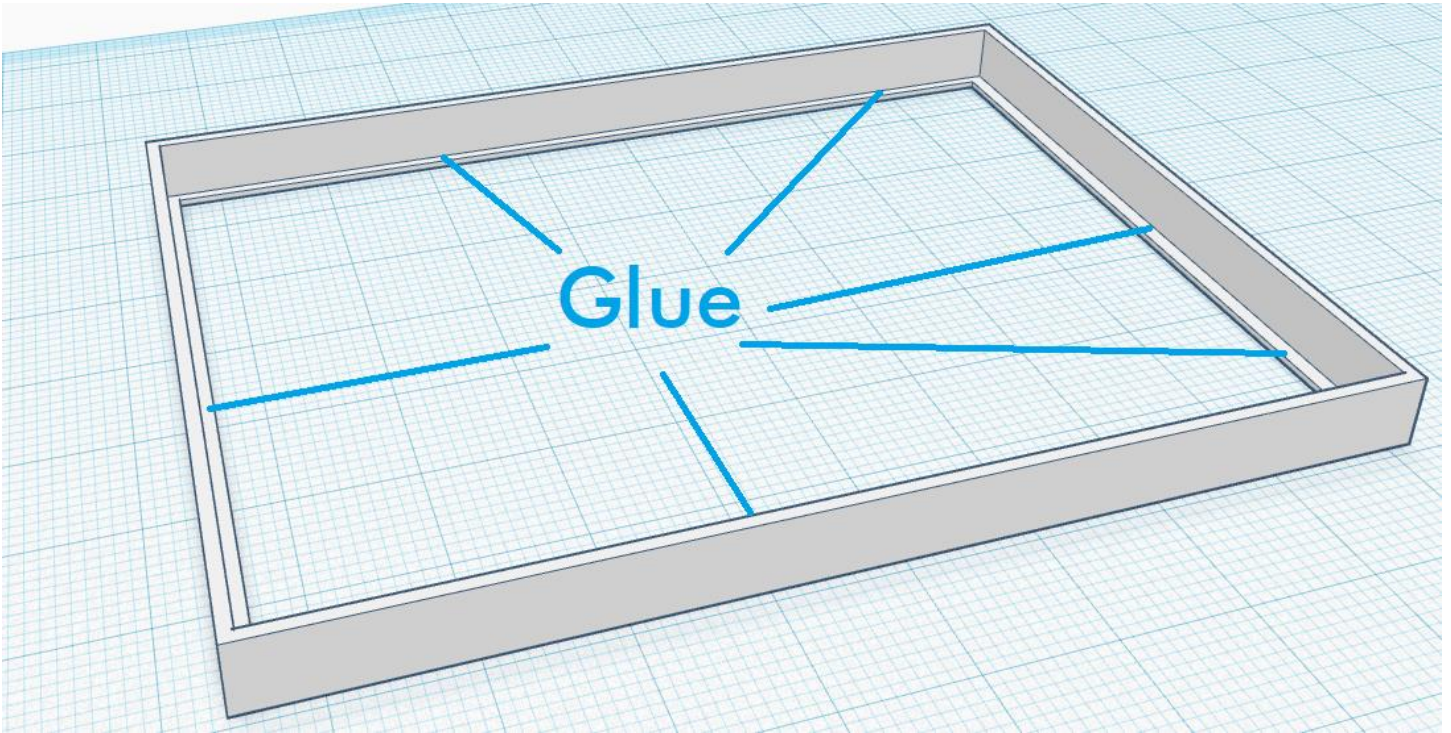


Do this for all 4 pumps (8 hoses in all)

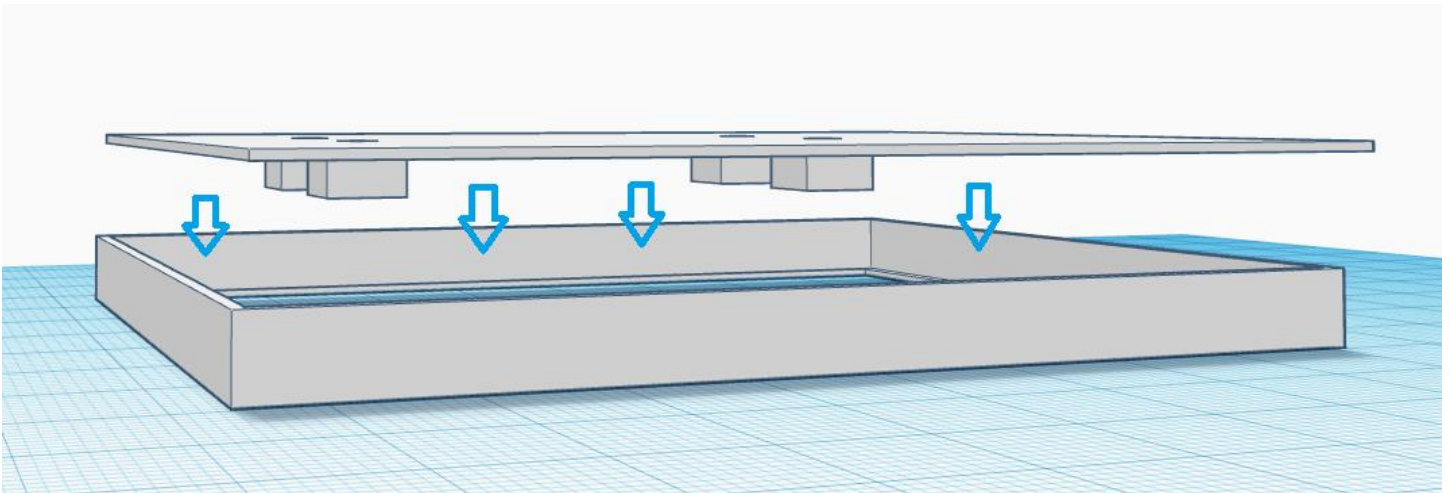
You can install the poles (part 13) later.

Canopy

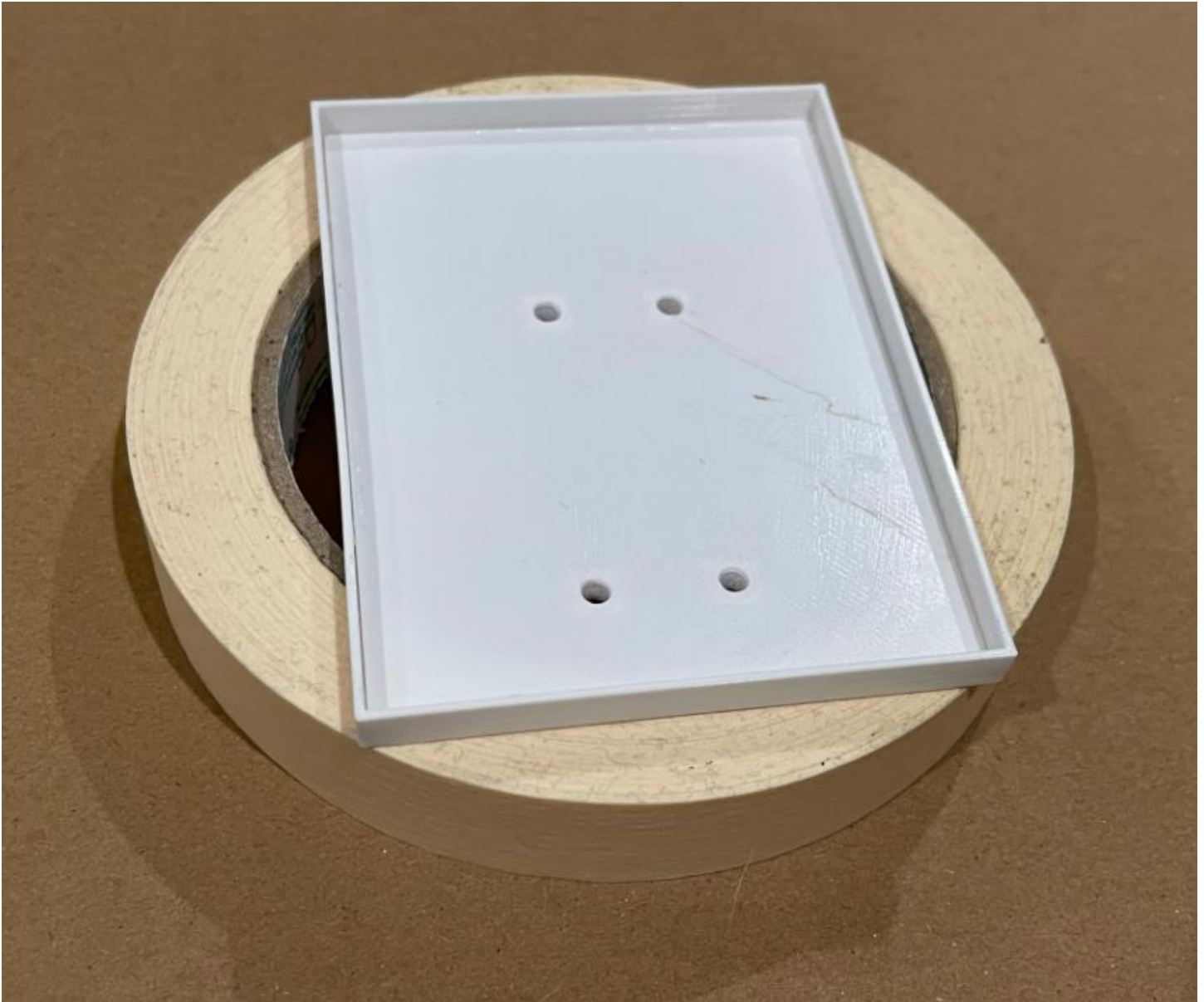
Take the canopy outer frame (part 14) and put a little glue on the flat lip part.



Now take the canopy ceiling (part 15) and flip it so the pole supports are facing down and slide it in so that it is flat and let the glue dry.



I would suggest may using a roll of masking tape to set the canopy on so the pole supports do not push it back up.



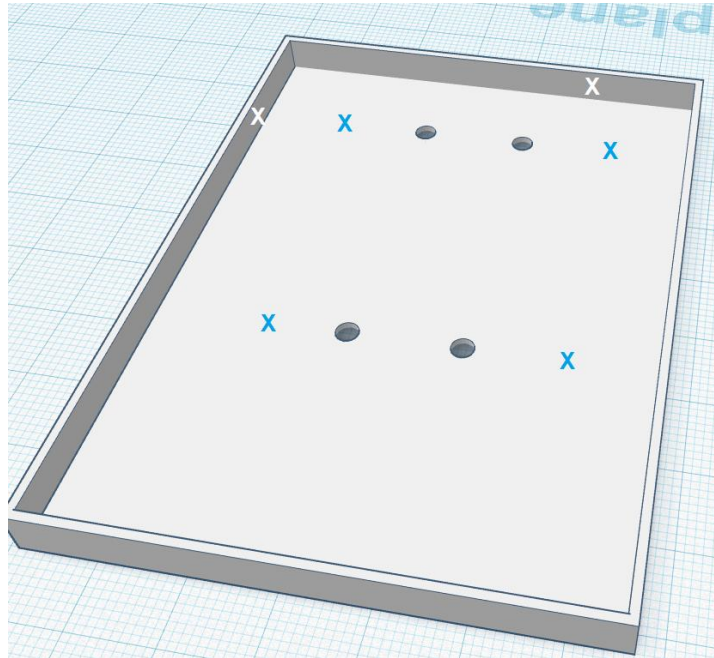
After the glue is dry if you decide to add lights to the canopy now would be the time to do it. If not, you can skip ahead to the next section.

Adding Lights to the Canopy

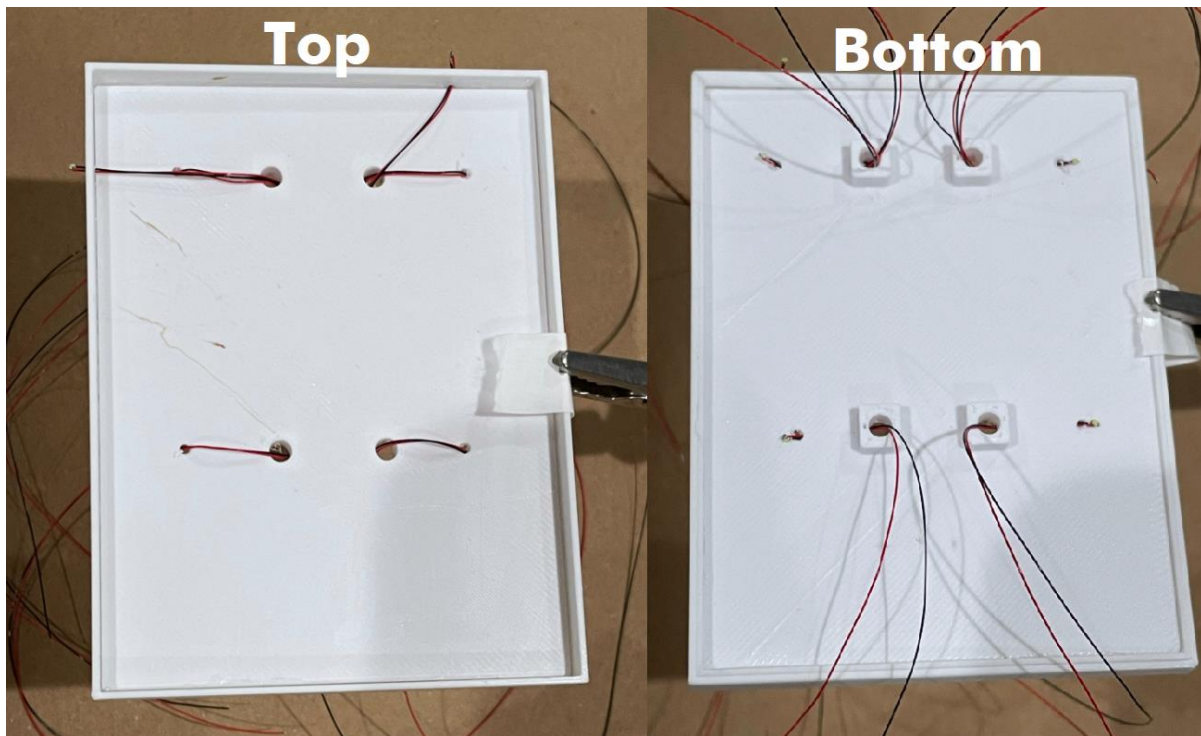
At this point you will want to drill small holes where you would like to run the lights. I would suggest the following configuration:

Blue X = Bright White LED

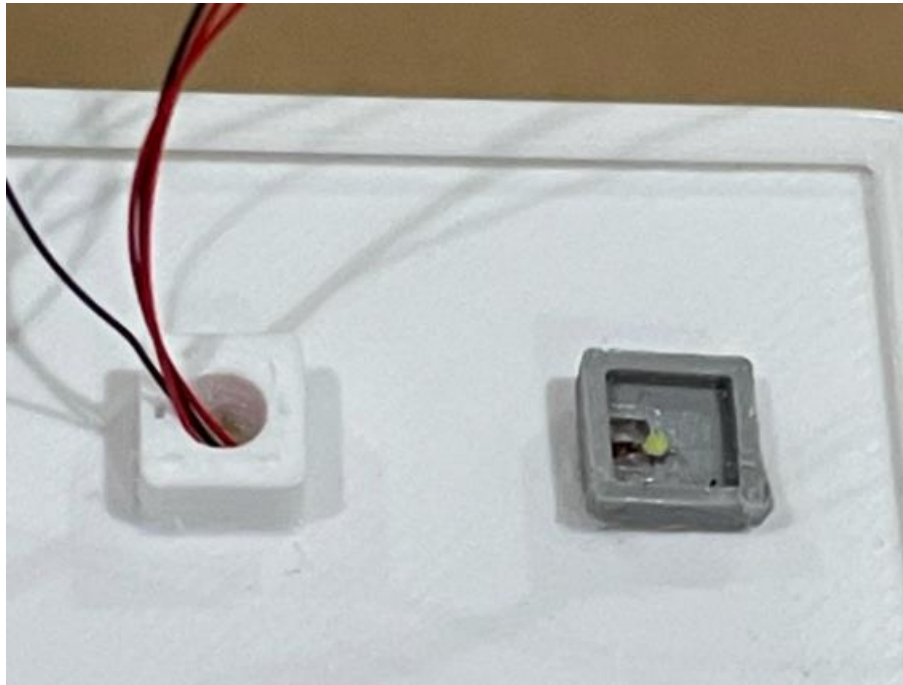
White X = Warm White LED



Run the LED through the holes and just leave a little extra poking through. Run the rest of the wires down where the poles will go.



This is what it will look like under the canopy when you add the light shades.

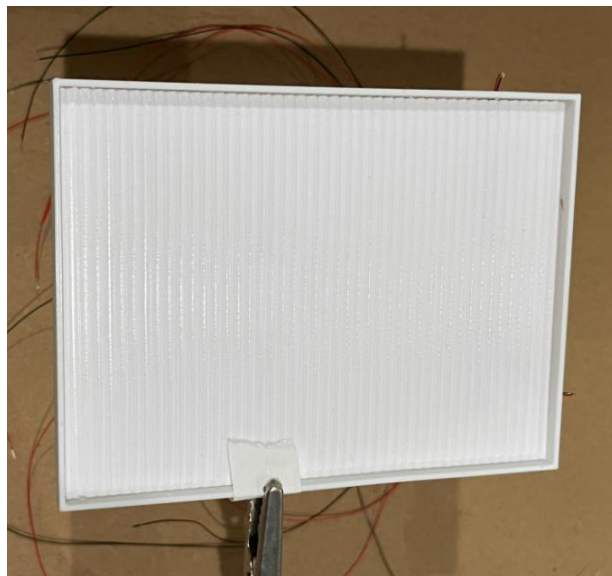
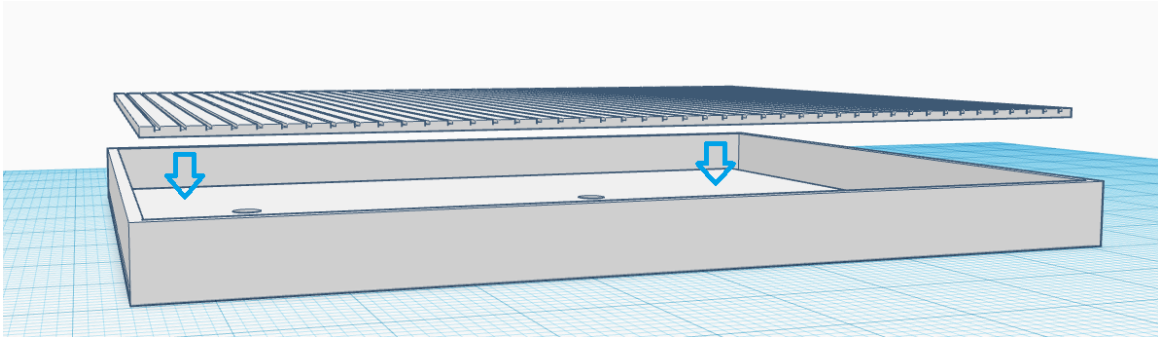
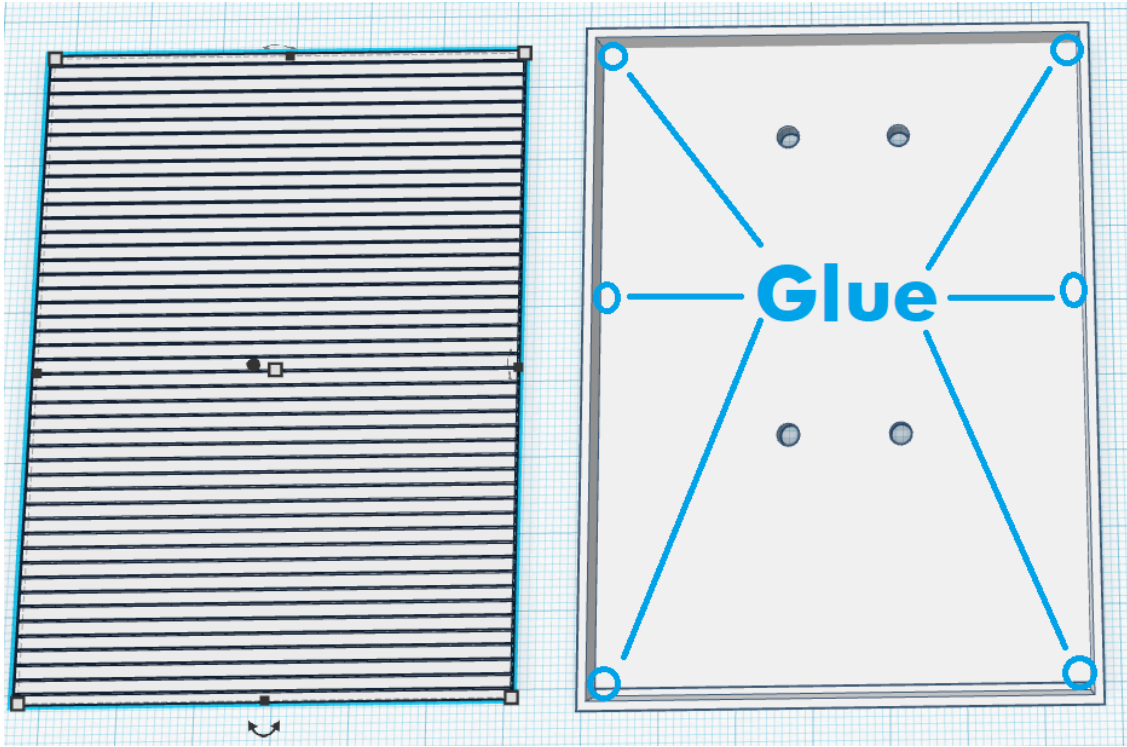


Now you want to make sure the Shell logo can fit over the LED.

As you can see this logo sign (part 11) has a channel in the back to slide the LED in. Verify that it will fit properly and that you do not have too much wire showing.



Once you are satisfied that all the lights will look correct you can now put a little glue around the edges of the top part of the canopy and place the roof on.

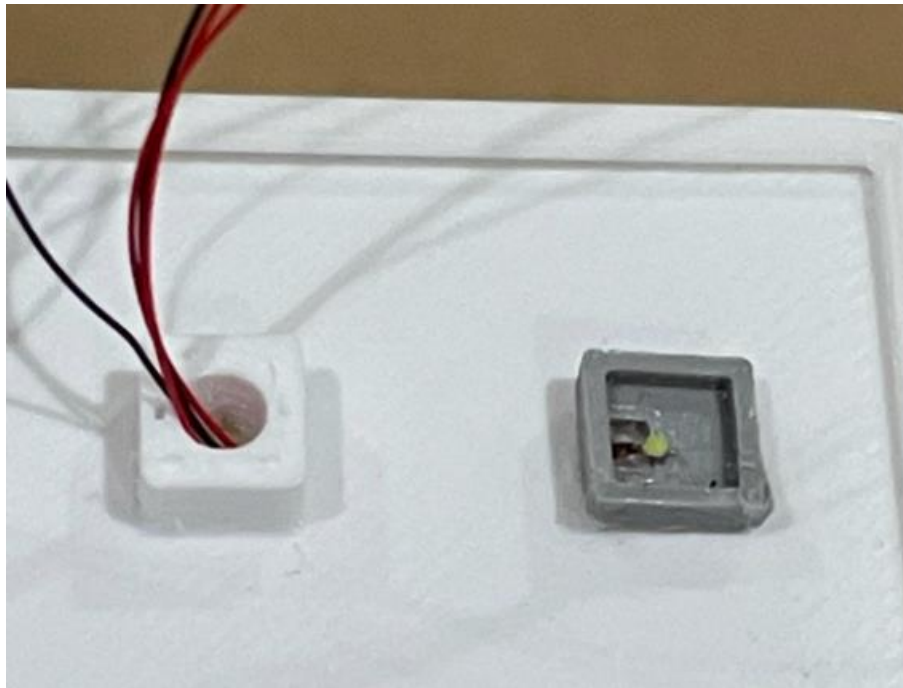


Once the glue is dry you can now add the yellow and red stripe stickers to the canopy as well as the shell logo (you will need to trim out the logo and glue it on the white square).

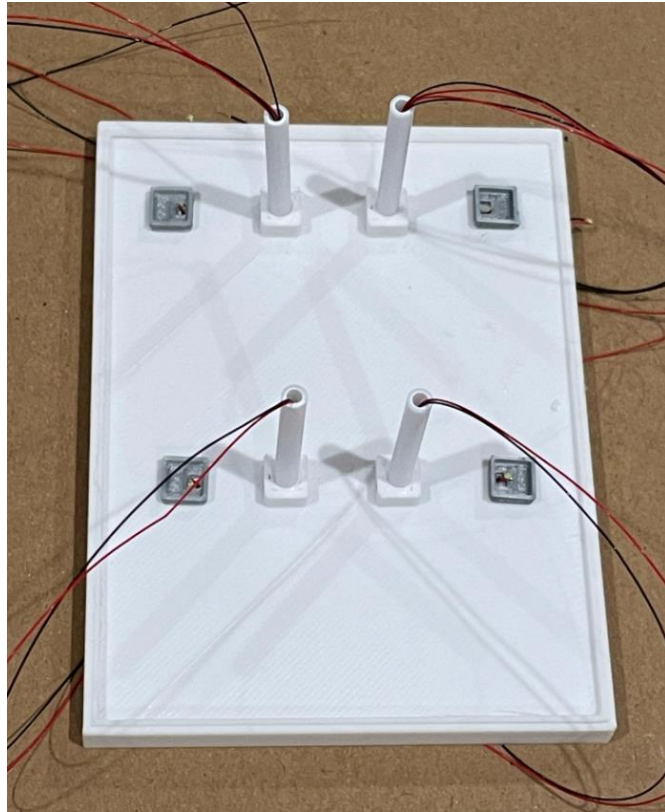


Krystal Klear is great to stick the square on to the canopy because it will not damage the yellow sticker (as long as you don't try to remove it).

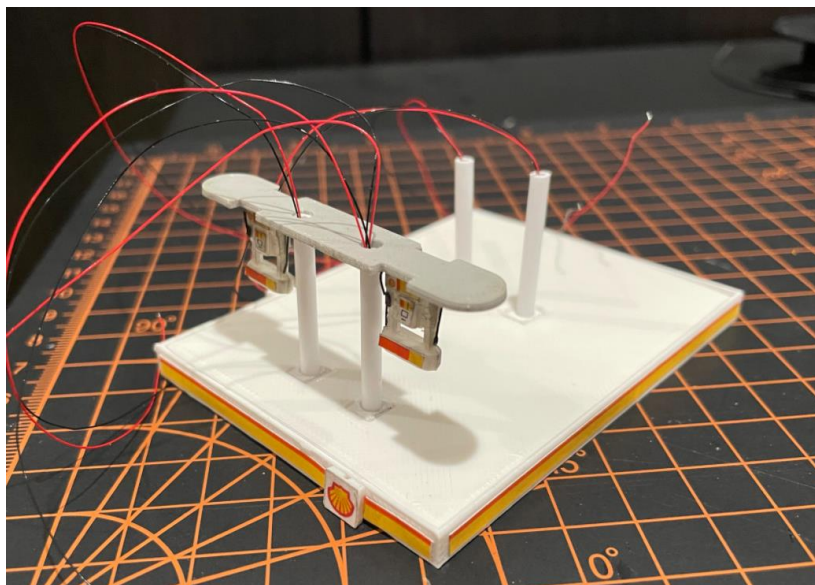
You can also add just a drop of glue to the back of the light shades (part 10) for under the canopy and put them into place.



Now you can get the poles and run the wires through them. I would not glue them just yet as you will want to make sure they line up when you attach them to the gas pump island.



Once all the wires are ran you can now add the gas pumps. At this point you can add a little glue to the tops and bottom of the poles so they will stay attached. Don't push them too far up as they could damage the wiring.

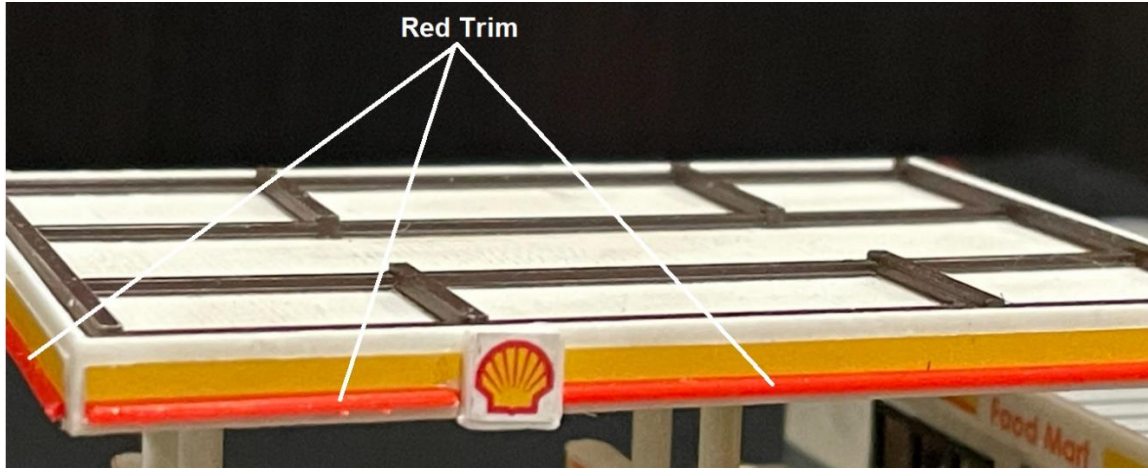




Now that your wiring is done there are just a few more steps to finish the canopy
I would paint the canopy frame (part 17) a rusty red or brown to match prototypes.
Once painted you can just put a little glue on the bottom of it and stick it to the
top of the roof.

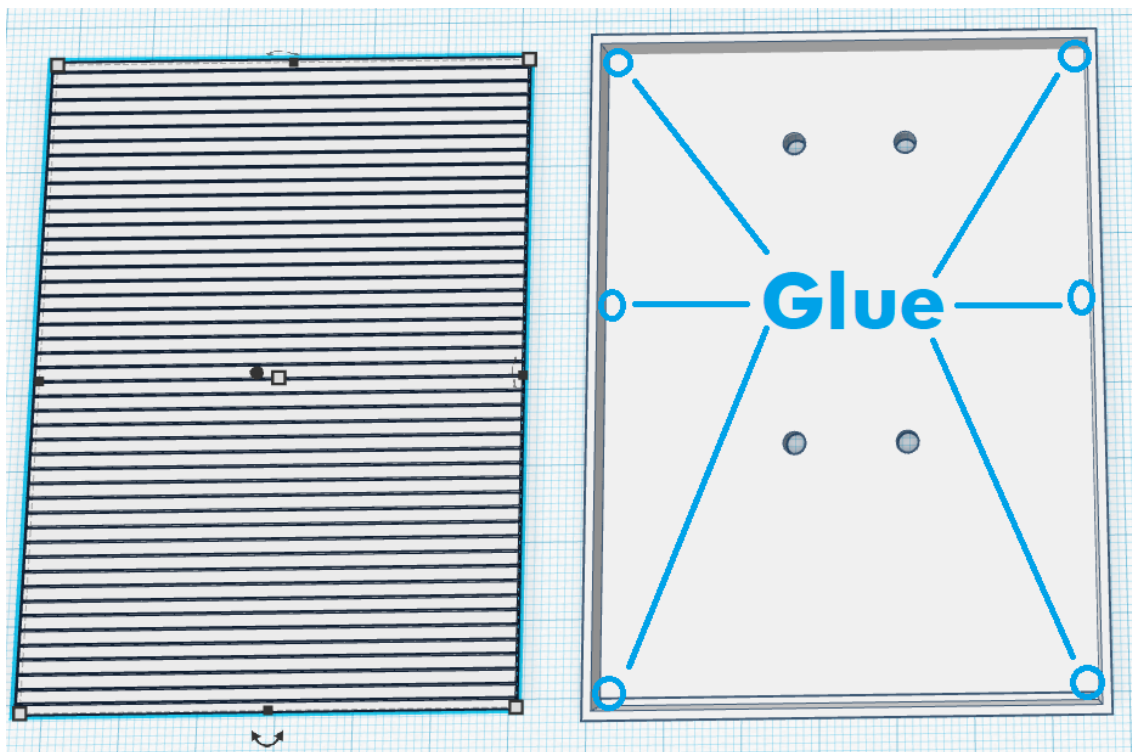


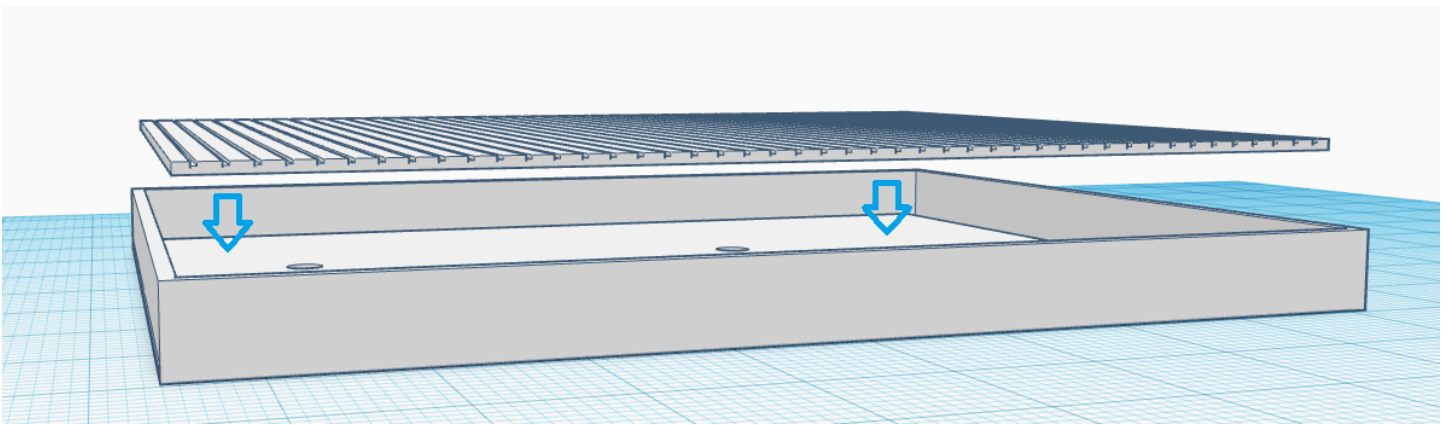
Now you can use the red trim (part 12) to cover over the red part of the sticker and give it a little more depth. Just trim the pieces to the necessary length and glue them on.



Building the Canopy Without Lights

Now that you have the canopy frame and ceiling glued together take the canopy roof (part 16) and place some glue around the edges and place the canopy roof (part 16) on top of it and let the glue dry.





Once the glue dries you can trim and add the yellow and red vinyl stickers to the edges of the canopy on all 4 sides.



Add the shell logo to the sign (part 11)



Now use something like Microscale Kristal Klear to attach the shell sign directly to the yellow and red sticker.



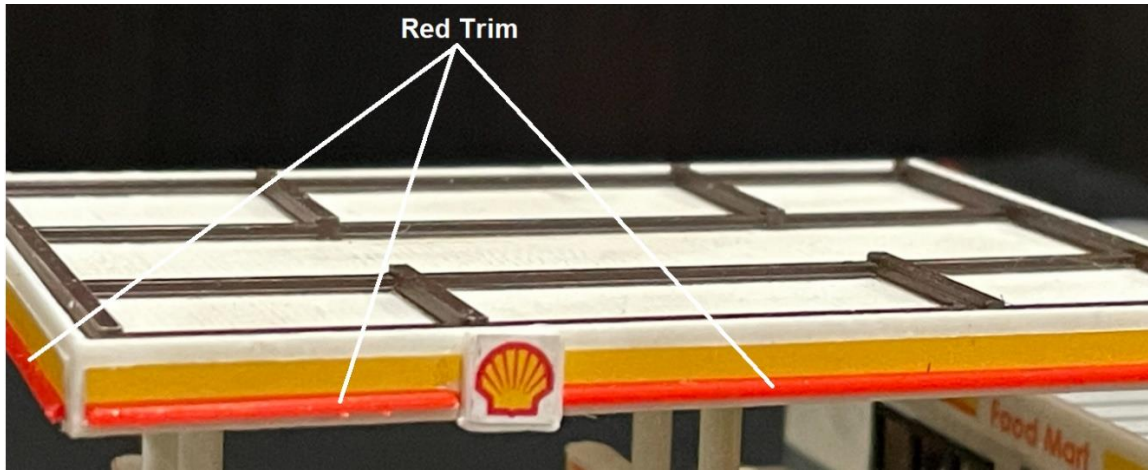
Once all the glue is dry you can flip over the canopy and add glue the lights shades to the underside of the canopy.



I would paint the canopy frame (part 17) a rusty red or brown to match prototypes. Once painted you can just put a little glue on the bottom of it and stick it to the top of the roof.

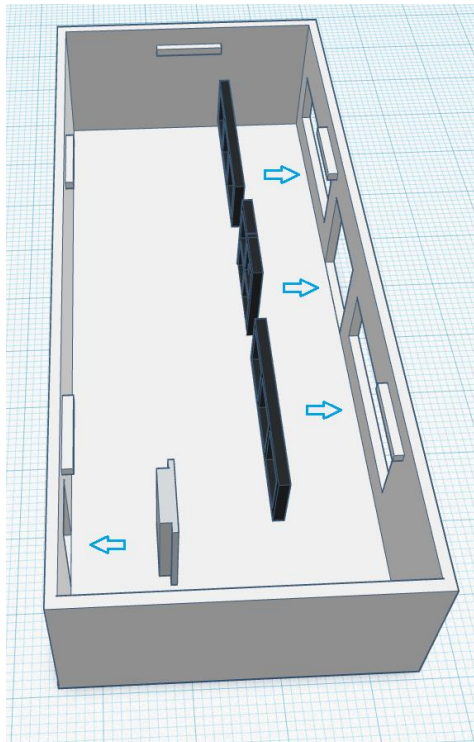


Now you can use the red trim (part 12) to cover over the red part of the sticker and give it a little more depth. Just trim the pieces to the necessary length and glue them on.

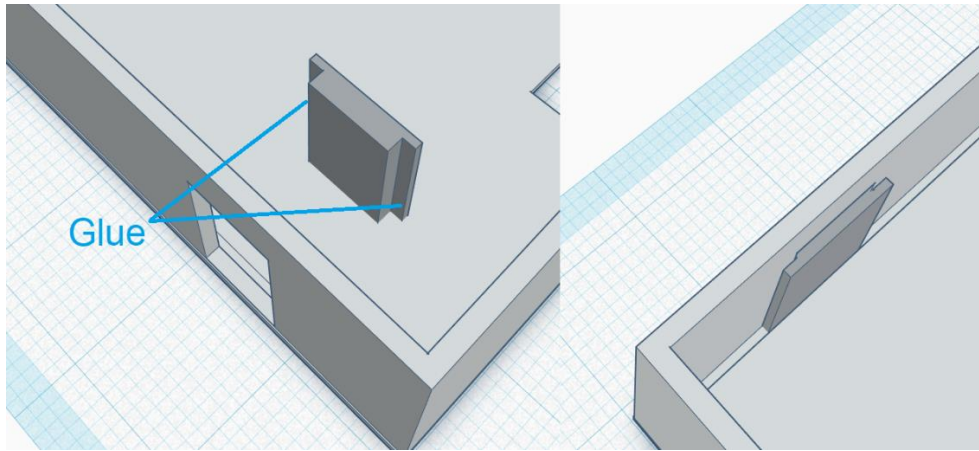


Main Building

Snap the windows and doors into place (you can glue them in from the back side once in place) and then you can put a little glue on the sides of the back door and put it into place.



Back Door



Place the roof (part 2) on top of the building



Once your main building is finished now you can place it on the foundation/sidewalk (part 5). Use the square hole in the floor to line up with the square hole on the foundation. You can take a few drops of glue and put them on the bottom of the building before placing it on the foundation.